

DH-HAC-PT1500A-IL-A

5MP Smart Dual Light HDCVI Fixed-focal PT Camera



* The parameters and datasheets below can only be applied to PT1500-IL-S2 series.
 * In order to use the 5MP 16:9 and the Smart Dual Light HDCVI camera, the firmware of XVR must be upgraded to V4.001.0000004.1.R.220323 or later version.

- Max. 25 fps@5MP (16:9 video output).
- Smart Dual Light.
- Smart Area Lighting.
- Pan & Tilt.
- 40 m illumination distance.
- Super Adapt.
- Built-in Mic.
- Quick-to-install structure saves installation time.
- 3.6 mm fixed lens (2.8 mm optional).
- IP66, 12 VDC.



Series Overview

The Lite Series is a great choice for consumers looking for high quality monitoring products at a reasonable price. Its low cost and high performance make it ideal for residential areas and SMB solutions. This series is equipped with a wide range of technologies, such as full-color and starlight, providing various solutions for different scenarios.

Functions

Smart Area Lighting

Automatically adjusts the intensity of the brightness and exposure for the left and right areas in the video based on the proportion and position of the targets to reveal more details in the image.

Pan & Tilt

Developed with a PT design, it has a dual shaft and dual motor. The motor can control the pan range from 0° to 355° and the tilt range from 0° to 90°, covering all the corners without any dead angles. This extends the monitoring area.

Broadcast-quality Audio

Audio signal transmission over coaxial cables is supported by the HDCVI camera. It adopts a unique audio processing and transmission technology that restores source audio and eliminates noise, ensuring the quality and reliability of the audio information that is collected. This becomes important for video surveillance applications that use audio information as a type of supplementary evidence.

Smart Dual Light

With its smart dual light mechanism, the camera automatically turns on the white light when Perimeter Protection/SMD Plus function of AI XVR detects a target in the rule area to capture clear, vivid images. When the target leaves the rule area, the camera automatically switches over from the white light to the IR light to significantly reduce light pollution.

Easy Installation

HDCVI PT camera comes with a quick-to-install design, which makes it easier to install than conventional camera and reduces cost on time and labor.

Super Adapt

With its intelligent algorithm, the camera automatically adjusts its parameters to provide optimal performance and vivid images.

4 Signals over 1 Coaxial Cable

HDCVI technology supports 4 signals (video, audio*, data and power) which are simultaneously transmitted over a coaxial cable. Dual-way data transmission allows the HDCVI camera to interact with the XVR to perform various actions such as sending control signals and triggering alarms. HDCVI technology also supports PoC, which makes the camera easy and quick to install.

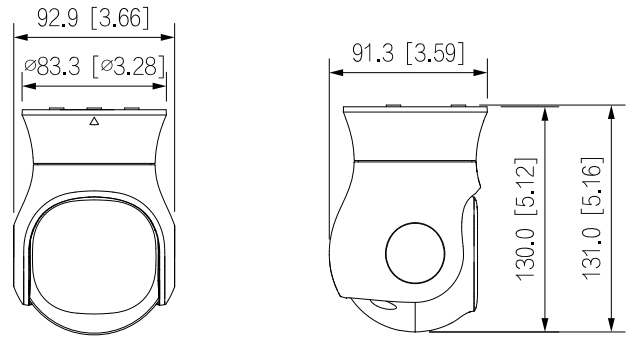
* Audio input is available for select HDCVI camera models.

Technical Specification					
Camera					
Image Sensor	5 MP CMOS				
Max. Resolution	2880 (H) × 1620 (V)				
Scanning System	Progressive				
Electronic Shutter Speed	PAL: 1/25 s–1/100,000 s; NTSC: 1/30 s–1/100,000 s				
Min. Illumination	0.05 lux@F2.0 (Color, 30 IRE) 0.005 lux@F2.0 (B/W, 30 IRE) 0 lux (Illuminator on)				
S/N Ratio	>65 dB				
Illumination Distance	IR: 40 m (131.23 ft) Warm light: 40 m (131.23 ft)				
Illuminator On/Off Control	Auto;Manual				
Illuminator Number	4 (Warm light);4 (IR light)				
Angle Adjustment	Pan: 0°–355° Tilt: 0°–90°				
Lens					
Lens Type	Fixed-focal				
Auto Focus	No				
Lens Mount	M12				
Focal Length	2.8 mm; 3.6 mm				
Max. Aperture	F2.0				
Field of View	2.8 mm: H: 112°; V: 58°; D: 134° 3.6 mm: H: 87°; V: 46°; D: 104°				
Iris Control	Fixed				
Close Focus Distance	2.8 mm: 0.9 m (2.95 ft) 3.6 mm: 1.4 m (4.59 ft)				
DORI Distance	Lens	Detect	Observe	Recognize	Identify
	2.8 mm	64.0 m (209.97 ft)	25.6 m (83.33 ft)	12.8 m (41.67 ft)	6.4 m (21.00 ft)
	3.6 mm	79.4 m (260.50 ft)	31.8 m (104.33 ft)	15.9 m (52.17 ft)	7.9 m (25.92 ft)
Video					
Video Frame Rate	CVI: PAL: 5M@25 fps; 5M@12.5 fps; 4M@25 fps; 1080p@25 fps NTSC: 5M@25 fps; 5M@10 fps; 4M@30 fps; 1080p@30 fps AHD: PAL: 4M@25 fps; NTSC: 4M@30 fps TVI: PAL: 4M@25 fps; NTSC: 4M@30 fps CVBS: PAL: 960H; NTSC: 960H				
Resolution	5M (2880 × 1620); 4M (2560 × 1440); 1080p (1920 × 1080); 960H (960 × 576/960 × 480)				
Day/Night	Auto(ICR)/Color/B/W				
BLC	BLC; HLC; DWDR				
WDR	DWDR				
White Balance	Auto;Area white balance				
Gain Control	Auto;Manual				
Noise Reduction	2D NR				
Illumination Mode	Smart IR&WL; WL Mode; IR Mode				
Mirror	Yes				
Privacy Masking	Off/On (8 areas, rectangle)				
Certification					
Certifications	CE-LVD: EN 62368-1; CE-EMC: EN 55032; EN 55035				
Port					
Video Output	Video output choices of CVI/TVI/AHD/CVBS by one BNC port				
Audio Input	One channel built-in Mic				
Power					
Power Supply	12 VDC ± 30% (It is recommended to use a power adapter to supply the power for one camera)				
Power Consumption	Max 6.4 W (12 VDC, IR on)				
Environment					
Operating Temperature	–40 °C to +60 °C (–40 °F to +140 °F)				
Operating Humidity	<95% (RH), non-condensing				
Storage Temperature	–40 °C to +60 °C (–40 °F to +140 °F)				
Storage Humidity	<95% (RH), non-condensing				
Protection	IP66				
Anti-corrosion Level	Basic Protection				
Structure					
Casing Material	Plastic				
Product Dimensions	92.9 mm × 91.3 mm × 130 mm (3.66" × 3.59" × 5.12")				
Net Weight	0.39 kg (0.86 lb)				
Gross Weight	0.64 kg (1.41 lb)				
Installation	Wall mount; ceiling mount; vertical pole mount				

Ordering Information

Type	Model	Description
5MP Camera	DH-HAC-PT1500AP-IL-A	5MP Smart Dual Light HDCVI PT Camera, PAL
	DH-HAC-PT1500AN-IL-A	5MP Smart Dual Light HDCVI PT Camera, NTSC
Accessories (Optional)	PFA12C	Plastic Junction Box
	PFM800-4K	1-CH Passive Video Balun
	PFM321D	12V 1A Power Adapter
	PFM904	Integrated Mount Tester

Dimensions (mm[inch])



Accessories

Optional:



PFA12C
Plastic Junction Box



PFM800-4K
1-CH Passive Video Balun



PFM321D
12V 1A Power Adapter



PFM904
Integrated Mount Tester

