

DH-SG1018LP-2F

18-Port Economical Gigabit PoE Switch with 16-Port PoE



Series Overview

DH-SG1018LP-2F Unmanaged All-gigabit Switch is highly efficient, coming with 16 × 10/100/1000 Mbps PoE ports. It consumes 135 W at most, and has 16 × 10/100/1000 Mbps Ethernet ports and 2 × 1000 Mbps uplink SFPs. Hassle-free, it does not require any configuration due to its plug-and-play design. The switch supports extend mode that provides up to 250 m transmission, and is a reliable, cost-effective option for small and medium-sized scenes.

Functions

Intelligent PoE

Provides power consumption control and real-time monitoring to guarantee priority of power supply for important ports and prevent malfunctioning caused by power consumption change. Supports ultra wide power supply, able to adapt to IPC power fluctuation.

Long Distance PoE

By dialing or enabling long-range transmission on the WEB interface, the transmission distance of a PoE port can be up to 250 m, meeting the requirement of wired transmission (bandwidth reduced to 10 Mbps).

Eight-pin PoE

Supports 8-pin simultaneous power supply (1/2/4/5 positive, 3/6/7/8 negative). Signal lines and idle lines supply power at the same time. Compatibility with IPC is enhanced. Cable loss is reduced. Loading capacity is increased.

Plug and Play

Hassle-free, it does not require any configuration. Simply use after it is powered on.

All-Gigabit Ports

Designed with large buffer memory and all-Gigabit ports, enabling high-definition access of large stream.

- Unmanaged gigabit PoE switch.
- Complies with IEEE802.3, IEEE802.3u, IEEE802.3ab, and IEEE802.3x, IEEE802.3z standards.
- A wide operating temperature range and a full metal casing that is fully-enclosed and dust-proof.
- Easy to install, and plug and play.
- Meets the IEEE 802.3af and IEEE802.3at power supply standards.
- Supports 250 m long-distance transmission mode.
- Manages PoE power consumption and PoE power on/off. Automatically turns off PoE if an overload is detected.



Wide Operating Temperature

Supports working at ambient temperatures of -10 °C to +55 °C, and has built-in professional lightning-proof circuits that effectively reduce the impact of thunderstorms on network systems and improve system robustness, allowing the device to adapt to harsh environments.

Scene

Suitable for small-scale scenes such as offices, schools, hotels, supermarkets, and hospitals.

Technical Specification

Hardware

| | |
|-------------------------------|--|
| Included Power Adapter | Yes |
| PoE | Yes |
| Ethernet Port | 16 |
| Ethernet Port Speed | 10/100/1000 Mbps |
| Optical Port Uplink Speed | 1 Gbps |
| Description of Function Slots | Port 1-16:16 × RJ-45 10/100/1000Mbps(PoE) Port 17-18:2 × SFP 1000Mbps(Uplink) |
| Power Supply | Built-in power supply: 100–240 VAC; 50/60 Hz; 2.5 A (maximum) |
| Operating Temperature | −10 °C to +55 °C (+14 °F to +131 °F) |
| Operating Humidity | 5%–95% (RH), non-condensing |
| Power Consumption | Idling: 9 W Full load: 135 W |

Performance

| | |
|------------------------|--|
| Layer | Layer 2 |
| Management Type | No |
| Smart Managed Switch | No |
| Switching Capacity | 36 Gbps |
| Packet Forwarding Rate | 26.784 Mpps |
| Packet Buffer Size | 4.1 Mbit |
| Jumbo Frame | 9600 Byte |
| MAC Table Size | 8K Byte |
| Communication Standard | IEEE802.3, IEEE802.3u, IEEE802.3x, IEEE802.3ab, IEEE802.3z |

Feature

| | |
|--------------------------------|----------------------------------|
| PoE Protocol | IEEE 802.3af; IEEE 802.3at |
| PoE Power | Port 1–16 ≤30 W; Total ≤135 W |
| PoE Pin Assignment | 1, 2, 4, 5 (V+), 3, 6, 7, 8 (V−) |
| ePoE | No |
| Long Distance PoE Transmission | Yes |

General

| | |
|----------------------|---|
| Statics Protection | Air discharge: 8 kV Contact discharge: 6 kV |
| Lighting Protection | Common mode: 2 kV Differential mode: 0.5 kV |
| Net Weight | 1.62 kg (3.57 lb) |
| Gross Weight | 2.34 kg (5.15 lb) |
| Product Dimensions | 285.0 mm × 189.5 mm × 43.7 mm (11.22" × 7.46" × 1.72")(L × W × H) |
| Packaging Dimensions | 369 mm × 299 mm × 81 mm (14.53" × 11.77" × 3.19") (L × W × H) |

| | |
|-----------------|---------------------------------------|
| Casing Material | Iron |
| Installation | Desktop mount; rack mount; wall mount |
| Certifications | CE |

Transmission Performance:

Switch power supply voltage 53V.
CAT5E/CAT6. Max. DC resistance < 10 Ω/100 m

| Cable(m) | Load Capacity(W) | Bandwidth(Mbps) |
|------------------|------------------|-----------------|
| IEEE802.3bt 90 W | | |
| 100 | 71.3 | 100 |
| 150 | 62 | 10 |
| 200 | 51 | 10 |
| 250 | 40 | 10 |

Hi-PoE 60 W

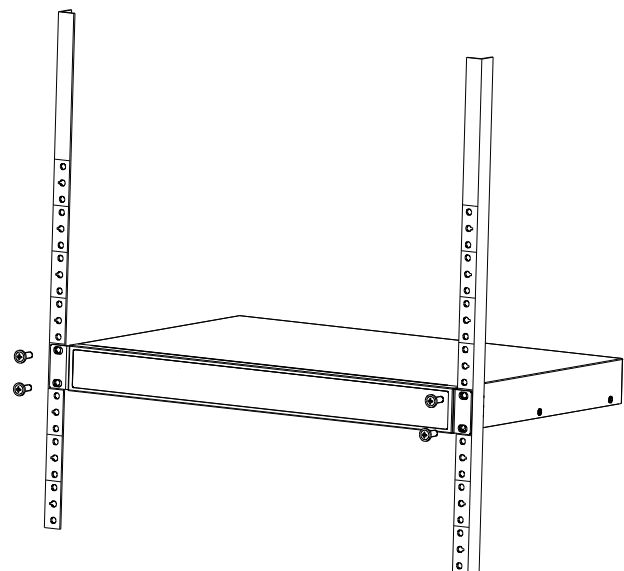
| | | |
|-----|----|-----|
| 100 | 53 | 100 |
| 150 | 50 | 10 |
| 200 | 47 | 10 |
| 250 | 37 | 10 |

IEEE802.3at 30 W

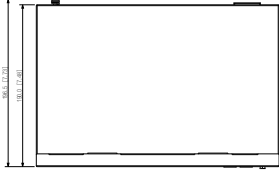
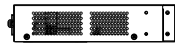
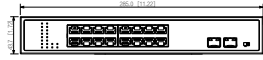
| | | |
|-----|------|-----|
| 100 | 25.5 | 100 |
| 150 | 25.5 | 10 |
| 200 | 25.5 | 10 |
| 250 | 25.5 | 10 |

Note: Data from this table was collected by Dahua test lab and is for reference only . The actual transmission distance may vary due to power consumption of connected devices or the cable type and status.

Installation



Dimensions (mm[inch])



Panels

