

DH-SG4020

20-Port Managed Gigabit Switch



- Supports web management.
- Supports STP and RSTP.
- Supports manual aggregation and static LACP protocol aggregation.
- 10/100/1000 Mbps self-adaptive Ethernet port.
- Highly integrated, it is exquisite, convenient and easy to use.



System Overview

Equipped with a high performance switching engine, the 20-Port All-Gigabit Managed Switch performs optimally. It has low transmission delay, large buffer and is highly reliable. It also has a strong switching capability and optimizes transmission performance when accessing Ultra HD videos. With its full metal design and fanless design, the device has great heat dissipation and is low power consumption, working in environments ranging from -10°C to 55°C ($+14^{\circ}\text{F}$ to $+131^{\circ}\text{F}$). With protection against overvoltage, EMC and overcurrent from power input terminals, the switch effectively resists interference from static electricity, lightning, and pulses. It also has powerful network management functions, supporting IGMP Snooping, Link Aggregation, QoS, LLDP, STP/RSTP, Web.

Functions

Link Aggregation

Combines multiple physical links into one virtual channel for dynamic redundancy and load balancing, ensuring that the connection remains stable.

Quality of Service (QoS)

Uses mechanisms designed to control bandwidth, delay, jitter, and loss to ensure the performance of services when the capacity is limited.

Link layer discovery protocol (LLDP)

Enables network devices to advertise their information mutually, allowing you to conveniently monitor and manage devices in the local topology. This makes it easy for administrators to effectively perform troubleshooting.

Spanning Tree Protocol (STP)

Uses algorithms that calculate the best loop-free path through a Layer 2 network while providing path redundancy to prevent the occurrence of broadcast storms and enhance the stability of operations and services.

IGMP snooping

Listens to multicast traffic, and solely forwards information to registered clients based on the multicast forwarding table. This ensures the safety of information and improves network efficiency.

Fanless Design

The fanless design reduces noise, enhances user experience, reduces mechanical losses and improves service life to a certain extent.

Technical Specification

Hardware

Included Power Adapter	Yes
Ethernet Port	18
Optical Port	2
Ethernet Port Speed	10/100/1000 Mbps
Optical Port Speed	1000 Mbps
Description of Function Slots	Port1-18: 18 × RJ45 10/100/1000Mbps Port19-20: 2 × SFP 1000Mbps
Debugging	Console × 1
Reset Button	1
Power Supply	12 VDC
Operating Temperature	-10°C to +55°C (+14°F to +131°F)
Operating Humidity	10%–90% (RH)
Storage Temperature	-40°C to +75°C (-40°F to +167°F)
Storage Humidity	5%–95% (RH)
Power Consumption	Idling: ≤ 6 W; Full load: 24 W

Performance

MTBF	467125.73 hours
Switching Capacity	56 Gbps
Packet Forwarding Rate	29.76 Mpps
Packet Buffer Size	4.1 Mbit
Jumbo Frame	10K Byte
MAC Table Size	8K
VLAN Number	4K
VLAN Interface	10
Communication Standard	IEEE 802.3x

Feature

Spanning Tree Protocol	STP, RSTP
VLAN Function	Yes
Link Aggregation	Static link aggregation; LACP
IEEE 802.3x Flow Control	IEEE 802.3X-based flow control (full-duplex)
Multicast	IGMP Snooping
DHCP Function	DHCP Client DHCP-Server DHCP-Snooping
Security	IEEE 802.1x
Equipment Management	WEB(http and https)

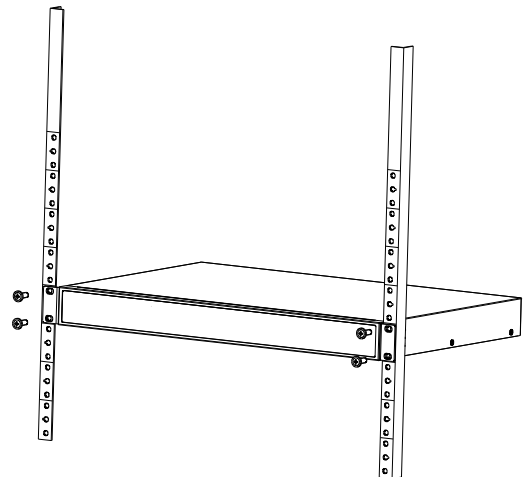
General

Statics Protection	Air discharge: 8 kV; Contact discharge: 6 kV
Lighting Protection	Common mode: 2 kV; Differential mode: 1 kV
Net Weight	1.57 kg (3.46 lb)
Gross Weight	2.25 kg (4.96 lb)
Product Dimensions	440 mm × 163.85 mm × 43.65 mm (17.32" × 6.45" × 1.71")
Packaging Dimensions	520 mm × 271 mm × 107 mm (20.47" × 10.67" × 4.21")
Certifications	CE

Ordering Information

Type	Model	Description
SFP module	GSFP-1310T-20-SMF	1.25G 1310/1550nm, 20km, LC, Single-mode
	GSFP-1310R-20-SMF	1.25G 1550/1310nm, 20km, LC, Single-mode
	GSFP-1310-20-SMF	1.25G 1310nm, 20km, LC, Single-mode
	GSFP-850-MMF	1.25G 850nm,550m,LC, Multi-mode

Installation



Dimensions (mm[inch])

