

DH-PFM378-B60-W

Integrated Solar Monitoring System(Without Lithium Battery)



System Overview

Integrated solar monitoring system (without lithium battery), all in one design, using 4G to transfer monitoring data and solar to power, which is easy/quick to install and can save wiring to the greatest extent, includes two parts: integrated solar power system and camera's mounting bracket, which is more convenient for sale, order and transportation.

It is compact, portable, easy to install, disassemble and maintain compared with conventional system.

Camera supports multi-angle flexible adjustment.

Features

Integrated sheet metal bracket

The bracket is built of a Q235 steel that makes it both strong and durable. It is ideal for installing solar panels, lithium batteries and cameras, and is designed to make installation and maintenance of the solar system more convenient.

Monocrystalline Solar Panel

Adopts monocrystalline solar panel to greatly improve optical absorbance efficiency and power generation performance with dusky light.

(Note: The following four functions are only supported when battery power is used.)

Remote Monitoring with APP

With Dahua cameras, it supports real-time remote monitoring of the system operation status and alarm prompts of battery with APP.

Maximum Power Point Tracking Charging Controller

MPPT controller helps significantly improve the energy utilization efficiency of the System, and raise the charging efficiency by 10%–30% compared with conventional PWM controller.

- Integrated design, easy to install.
- Flexible angle adjustment of the solar panel.
- 60 W monocrystalline solar panel.
- Built sturdy to resist storms with sustained winds up to 117 km/h.
- (Note: The following four functions are only supported when battery power is used.)
- Remote monitoring available through the mobile app.
- Maximum Power Point Tracking (MPPT) charging controller.
- RS-485 communication.
- Electric protection.



RS-485 Port

RS-485 port and standard Modbus protocol, meeting communication requirements in various scenarios.

Electronic Protection

Comprehensive electronic protection: Current limiting, short circuit, and reverse current protection of solar panel; reverse connection, overvoltage, over-discharge, and over-temperature protection of lithium battery; overload and short circuit protection of load.

Scene

General application

Suitable to be installed in places such as scenic spots, courtyards, roads, farms, communities, and small construction sites.

Small business application

Applicable to scenarios where power is difficult to obtain, such as mining areas, oil/power transmission lines, forest fire prevention, and water conservancy.

Special application

Temporary monitoring of mobile toilets, mobile garbage stations, outdoor small-scale competitions, and more.

Technical Specification

Solar Panel

Type	Monocrystalline silicon
Max. Power	60 W
Output Voltage	18.8 VDC
Solar Cell Efficiency	21%
Max. Mechanical Load	5400 Pa

Port

Output Port	CSA authorized M15 2-core waterproof connector (connected to lithium battery)
-------------	---

General

Material	Main Body:Q235 Pole mount bracket:SECC & SUS304
IP Rating	IP65
Installation	Supports pole mount and wall mount
Adjustable Angle	Solar panel: H:360°, V: 10°/20°/30°/40°/50°
Mast Diameter	φ80~150mm(φ3.15"~5.91")
Product Dimensions	Main Body:710.0 mm × 603 mm × 666 mm (27.95" × 23.74" × 26.22") Pole mount bracket:130.4mmx170mmx45mm (5.13"x6.69"x1.77")
Packaging Dimensions	785 mm × 565 mm × 200 mm (30.91" × 22.24" × 7.87")
Net Weight	13.0 kg (28.66 lb)
Gross Weight	13.4 kg (29.54 lb)

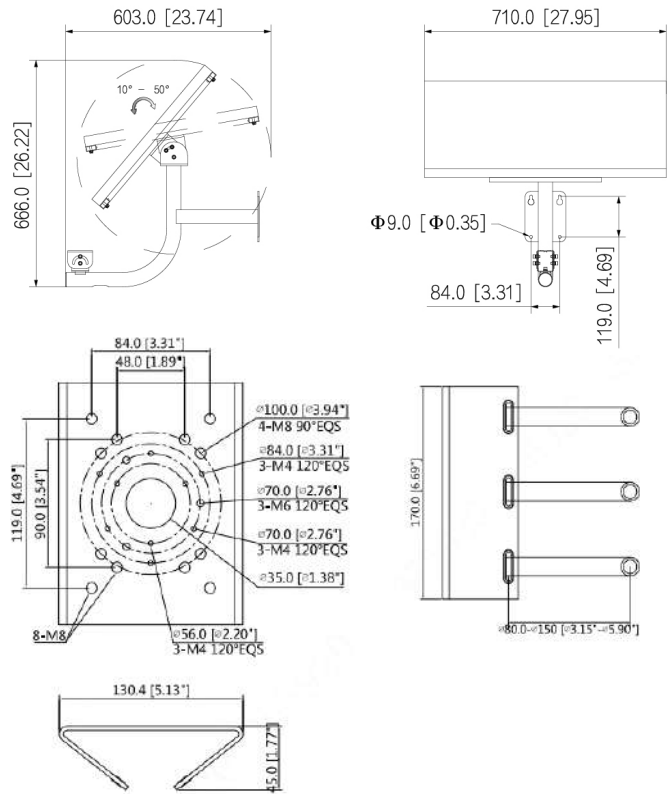
Environment

Operating Altitude	< 3000 m (9842.5 ft)
Applicable Area	Areas with daily exposure to solar radiation for more than 3.5 hours
Operating Temperature	Main Body : -20 °C to +60 °C (-4 °F to +140 °F) Pole mount bracket:40°F~+60°F(-40°F~+140°F)
Operating Humidity	Main Body : < 95% (RH) Pole mount bracket:0~90% (RH)
Storage Temperature	0 °C to +40 °C (+32 °F to +104 °F)
Storage Humidity	< 95% (RH)

Certifications

Certifications	CE: EN IEC61000-6-4, EN IEC61000-6-2 FCC: 47 CFR Part 15,Subpart B UKCA: EN IEC61000-6-4, EN IEC61000-6-2
----------------	---

Dimensions (mm[inch])



Accessories

Optional:



PFM372-LS20-H
Integrated Solar
Lithium Battery



IPC-HFW3441G-4G
4 MP IR Fixed focal Bullet
WizSense 4G Network
Camera

Ordering Information

Type	Model	Description
Solar Series	DH-PFM378-B60-W	Integrated Solar Monitoring System (Without Lithium Battery)
Accessories (Optional)	PFM372-LS20-H	Integrated Solar Lithium Battery
	IPC-HFW3441G-4G	4MP IR Fixed focal Bullet WizSense 4G Network Camera

Application

