

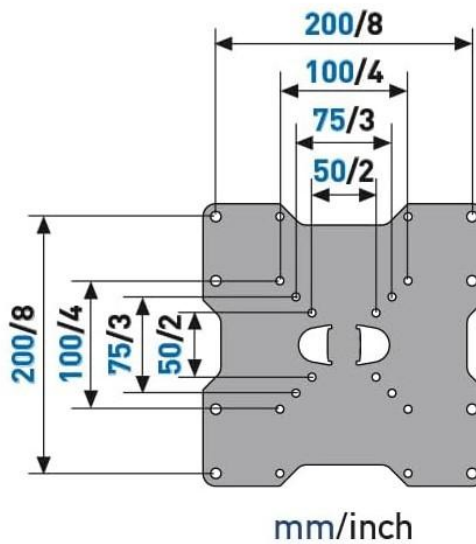
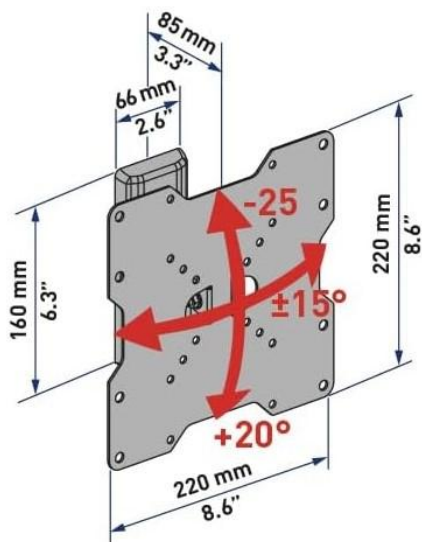
# PR-MSP1

Staffa da parete inclinabile attacco VESA 75-100-200



### Technical Specification

Compatibility	VESA Pattern	75/100/200
	Monitor Size	22-in. to 40-in. (measured diagonally)
Load-bearing Capacity		20.0 kg
Angle		-5° / +20°



**VESA**  
**50-75-100-200**