

DH-PFA5500

Pole Mount Bracket



- Built of SECC and SUS304 material.
- Simple, elegant and convenient to use.
- Supports different types of cameras and can bear heavy weights.
- The enhanced buckle makes the pole bracket tighter and firmer.



System Overview

Dahua Mounting Bracket works with front-end services, supporting installation methods such as wall mount, pole mount, corner mount and in-ceiling mount. Select brackets are designed to suit complex scenes, making them convenient to use in environments with high temperatures, humidity, frequent vibrations, and in locations that are highly corrosive. These highly reliable brackets are easy to install and use.

Scene

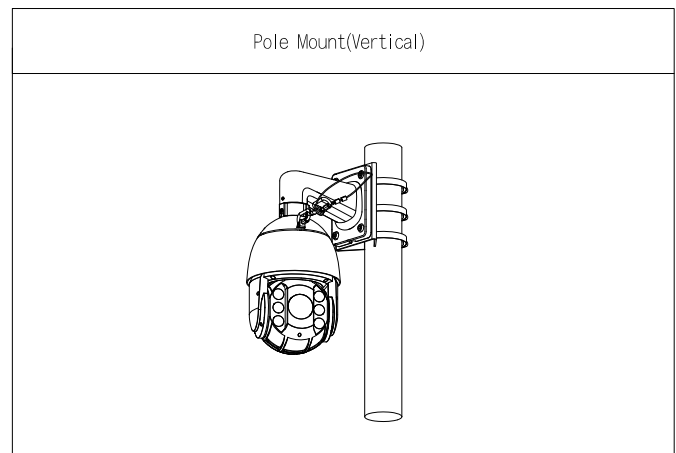
Ideal for mounting cameras, it works in temperatures ranging from -40°C to $+60^{\circ}\text{C}$ (-40°F to $+140^{\circ}\text{F}$) and in environments with relative humidity of less than 90%.

Operating Humidity	< 90% (RH)
Storage Temperature	-40°C to $+80^{\circ}\text{C}$ (-40°F to $+176^{\circ}\text{F}$)
Storage Humidity	10%–90% (RH)

Ordering Information

Type	Model	Description
Camera Mount	DH-PFA5500	Pole Mount Bracket
	PFA5500	Pole Mount Bracket

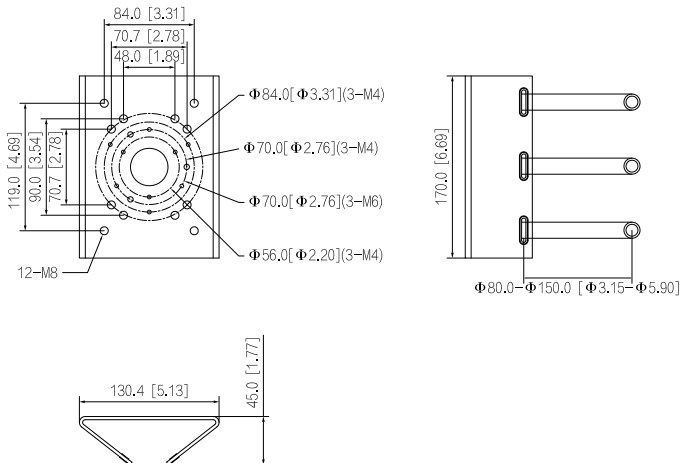
Installation



Technical Specification

Structure	
Product Material	SECC, SUS304
Packaging Dimensions	237.0 mm × 164.0 mm × 191.0 mm (9.33" × 6.46" × 7.52") (L × W × H)
Product Dimensions	130.4 mm × 170.0 mm × 45.0 mm (5.13" × 6.69" × 1.77") (L × W × H)
Net Weight	1.31 kg (2.89 lb)
Gross Weight	1.57 kg (3.46 lb)
Load Bearing	15.0 kg (33.07 lb)
Installation	Pole Mount
Pole Diameter	$\Phi 80\text{ mm}$ – 150 mm ($\Phi 3.15$ "– 5.91 ")
Applicable Model	Please see "Camera Accessories Selection"
Appearance Color	White
Environment	
Operating Temperature	-40°C to $+60^{\circ}\text{C}$ (-40°F to $+140^{\circ}\text{F}$)

Dimensions (mm[inch])



Package Information

- Pole mount bracket × 1
- M8 × 25 screw × 4
- 80-150mm metal hoop: 3
- S6.0 wrench × 1