

DHI-ASC3202B

Access Controller



- Built-in Web server, features main and sub control modes.
- The main control mode offers access control Platform functions, can connect with and manage up to 19 sub controllers. The sub-control modes can be added to multiple platforms.
- Supports 1000 users, 3000 fingerprints, and 300,000 records.
- Accesses card readers through Wiegand and RS-485 protocols.
- Supports TCP and IP connection, and standard PoE.
- Supplies power to the lock through its 12 VDC output power supply, which has a maximum output current of 1000 mA.
- Supports configuring the hardware I/O port and exporting configuration diagrams.
- Retains stored data even while powered off.

Technical Specification

System

Main Processor	Embedded processor
Internet Protocol	P2P; IPv4; DNS; DDNS; TCP; UDP
OSDP Protocol	Yes
Interoperability	ONVIF; CGI
SDK and API	Yes

Basic

Product Type	Controller
Buzzer	Yes
Casing Material	PC + ABS

Function

Unlock Mode	Card; remote; password; fingerprint; combination unlock
Period List	128 periods
Holiday Period	128 periods
Network Update	Yes
Blocklist/Allowlist	Yes
Peripheral Card Reader	Supports 2 × RS-485 card readers; 2 × Wiegand card readers
Multi-user Authentication	Yes (Use with platform)
Real-time Monitoring	Yes
Multi-factor Authentication	Yes
Web Configuration	Yes

User

User (Card) Type	General users, patrol users, blocklist users, VIP users, guest users, custom user 1, custom user 2, and other users
------------------	---

Capacity

User Capacity	1000
Fingerprint Capacity	3000
Card Capacity	5000
Record Capacity	300,000

Port

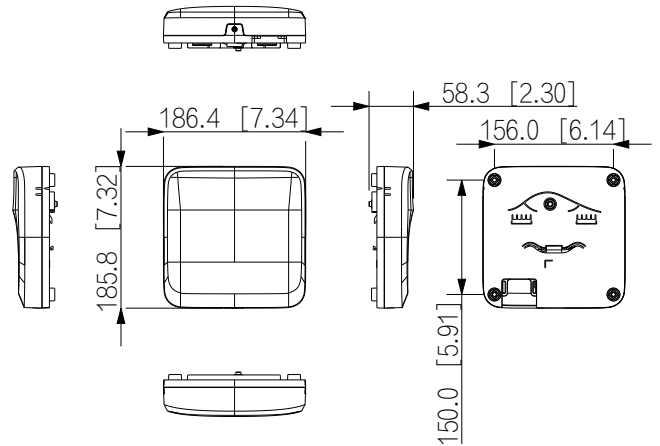
RS-485	3
Wiegand	2 × input
Network Port	1 × RJ-45 10/100 Mbps Ethernet port
Alarm Input	2 (digital quantity)
Alarm Output	2 (digital quantity)
Alarm Linkage	Yes
Exit Button	2
Door Status Detection	2
Lock Control	2

Alarm

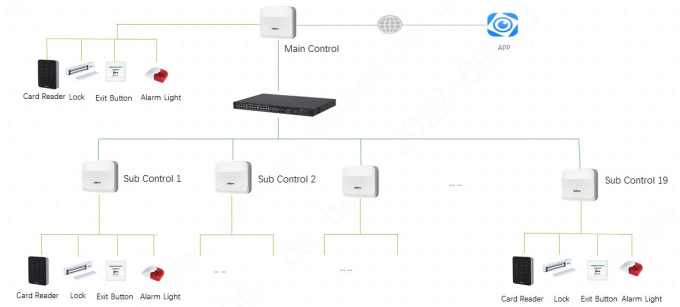
Tamper Alarm	Yes
Duress Alarm	Yes

Door Sensor Timeout	Yes
Intrusion	Yes
Illegal Card Exceeding Threshold	Yes
Duress Fingerprint	Yes
General	
Power Supply	Power in: 12V DC or Power over Ethernet IEEE 802.3at Type 2 Class 4
Protection	IK06
Power Consumption	Standby Power (no peripheral devices): ≤ 2 W Working Power: Total power budget if powered by DC: 1700 mA at 12 V for peripheral devices (locks, readers etc.) Total power budget if powered by PoE: 1200 mA at 12 V for peripheral devices (locks, readers etc.)
Product Dimensions	186.4 mm \times 185.8 mm \times 58.3mm (7.34" \times 7.31" \times 2.30") (L \times W \times H)
Packaging Dimensions	254 mm \times 243 mm \times 86 mm (10.00" \times 9.57" \times 3.39") (L \times W \times H)
Operating Temperature	-10 $^{\circ}$ C to +55 $^{\circ}$ C (+14 $^{\circ}$ F to 131 $^{\circ}$ F)
Operating Humidity	5%–95% (RH), non-condensing
Operating Environment	Indoor
Gross Weight	0.99 kg (2.18 lb)
Installation	Surface Mount; Guide Rail Mount
Certifications	CE; FCC; UL

Dimensions (mm[inch])



Panels



Ordering Information

Type	Model	Description
Access Controller	DHI-ASC3202B	Dahua Two-door Access Controller B (portable, indoor)