

DH-HAC-ME1200EQ-L

2MP HDCVI Active Deterrence Camera



System Overview

Active Deterrence Series provides multi-dimensional system that links video with audio, information and alarm to verify potential risks. Active deterrence camera can actively warn off intruders with light and speaker, alert users in real-time with alarm-over-coax, and provide visual verification with HDCVI video.

Functions

Active Deterrence

Active deterrence is to warn off intruders actively with white light even before users are aware of the incidence. Once an intrusion is detected, the white light will turn on to alert the intruder. The white light can be set to normally on or flash.

Simplicity

HDCVI technology inherits the born feature of simplicity from traditional analog surveillance system, making itself a best choice for investment protection. HDCVI system can seamlessly upgrade the traditional analog system without replacing existing coaxial cabling. The plug and play approach enables high definition video surveillance without the hassle of configuring a network.

Smart Illumination

The camera is designed with IR illumination for best lowlight performance. Smart IR is a technology to ensure brightness uniformity in B/W image under low illumination. Dahua's unique Smart IR adjusts to the intensity of camera's infrared LEDs to compensate for the distance of an object, and prevents IR LEDs from overexposing images as the object come closer to the camera.

* The parameters and datasheets below can only be applied to 1200-S5 series.

- Max 30 fps@1080p
- CVI/CVBS/AHD/TVI switchable
- Active deterrence with warm light
- Built-in PIR, 10 m/110° detecting range/angle
- Quick-to-install eyeball save installation time
- 3.6 mm fixed lens (2.8 mm optional)
- Max. IR length 30 m, Smart IR
- IP67, 12 V DC



4 Signals over 1 Coaxial Cable

HDCVI technology supports 4 signals to be transmitted over 1 coaxial cable simultaneously, i.e. video, audio*, data and power. Dual-way data transmission allows the HDCVI camera to interact with the XVR, such as sending control signal or triggering alarm. Moreover, HDCVI technology supports PoC for construction flexibility.

* Audio input is available for some models of HDCVI cameras.

Long Distance Transmission

HDCVI technology guarantees real-time transmission at long distance without any loss. It supports up to 700m transmission for 2MP/5MP/8MP HD video via coaxial cable, and up to 300m via UTP cable.* *Actual results verified by real-scene testing in Dahua's test laboratory.

Protection (IP67, wide voltage)

IP67: The camera passes a series of strict test on dust and soak. It has dust-proof function, and the enclosure can works normal after soaking in 1 m deep water for 30 minutes.

Wide voltage: The camera allows $\pm 30\%$ (for some power supplies) input voltage tolerance (wide voltage range), and it is widely applied to outdoor environment with instable voltage.

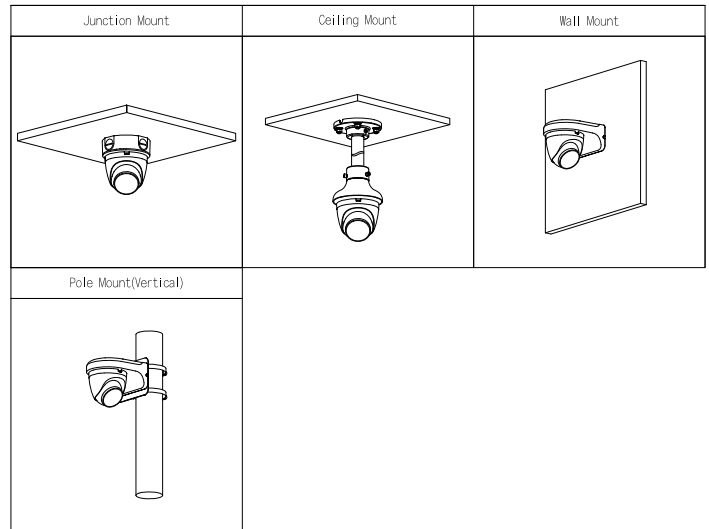
Easy Installation

HDCVI quick-to-install eyeball adopts quick-to-install pedestal, which can achieve easier installation than conventional eyeball. Quick-to-install camera reduces time and labor costs.

Technical Specification						
Camera						
Image Sensor	2MP CMOS					
Max. Resolution	1920 (H) × 1080 (V)					
Pixel	2MP					
Scanning System	Progressive					
Electronic Shutter Speed	PAL: 1/25 s–1/100,000 s NTSC: 1/30 s–1/100,000 s					
Min. Illumination	0.02 Lux/F2.0, 30 IRE, 0 Lux IR on					
S/N Ratio	> 65 dB					
Illumination Distance	30 m (98.4 ft)					
Illuminator On/Off Control	Auto					
Illuminator Number	1 (IR light)					
Pan/Tilt/Rotation Range	Pan: 0°–360° Tilt: 0°–78° Rotation: 0°–360°					
Lens						
Lens Type	Fixed-focal					
Lens Mount	M12					
Focal Length	2.8 mm; 3.6 mm					
Max. Aperture	2.8 mm: F2.0 3.6 mm: F2.0					
Field of View	2.8 mm: H: 100°; V: 53°; D: 120° 3.6 mm: H: 83°; V: 44°; D: 99°					
Close Focus Distance	2.8 mm: 0.6 m (2.0 ft) 3.6 mm: 0.8 m (2.6 ft)					
DORI Distance	Lens	Detect	Observe	Recognize	Identify	
	2.8 mm	46.9 m (153.9 ft)	18.8 m (61.7 ft)	9.4 m (30.8 ft)	4.7 m (15.4 ft)	
	3.6 mm	53.7 m (176.2 ft)	21.5 m (70.5 ft)	10.7 m (35.1 ft)	5.4 m (17.7 ft)	
Video						
Video Frame Rate	CVI: PAL: 1080p@25 fps; NTSC: 1080p@30 fps AHD: PAL: 1080p@25 fps; NTSC: 1080p@30 fps TVI: PAL: 1080p@25 fps; NTSC: 1080p@30 fps CVBS: PAL: 960H; NTSC: 960H					
Resolution	1080p (1920 × 1080); 960 H (960 × 576/960 × 480)					
Day/Night	Auto (ICR)					
BLC	BLC/HLC/DWDR					
WDR	DWDR					
White Balance	Auto/Area WB					
Gain Control	Auto					
Noise Reduction	2D NR					
Smart Illumination	Yes					
Mirror	Yes					
Privacy Masking	Off/On (8area,rectangle)					
PIR						
Detection Mode	Pyroelectric infrared sensor					
Max. Detection Range	10 m (32.8 ft), 110°					
Recommended Installation Height	2.2 m–3 m (7.2 ft–9.8 ft)					
Recommended Working Temperature	–10 °C to 50 °C (14 °F to 122 °F)					
Active Deterrence						
White Light Warning	lighting/flash; Alert Duration:5 s–60 s; flash Freq:low/medium/high					
Certifications						
Certifications	CE (EN55032:2015, EN61000-3-2:2014, EN61000-3-3:2013, EN55024:2010+A1:2015, EN55035:2017, EN50130-4:2011+A1:2014) FCC (CFR 47 FCC Part 15 subpartB, ANSI C63.4-2014) UL (UL60950-1+CAN/CSA C22.2 No.60950-1) IEC 62368-1:2014 (Second Edition)					
Port						
Video Output	Video output choices of CVI/TVI/AHD/CVBS by one BNC port					
Power						
Power Supply	DC12 V±30%					
Power Consumption	Max 4.5 W (12 V DC, IR on)					
Environment						
Operating Temperature	–40 °C to +60 °C (–40 °F to 140 °F); < 95% (non-condensation)					
Storage Temperature	–40 °C to +60 °C (–40 °F to 140 °F); < 95% (non-condensation)					
Protection	IP67					
Structure						
Casing	Inner core: Metal + plastic Cover: Plastic					
Camera Dimensions	Φ109.9 mm × 100.9 mm (Φ4.33" × 3.97")					
Net Weight	0.30 kg (0.66 lb)					
Gross Weight	0.47 Kg (1.04 lb)					

Ordering Information

Type	Model	Description
2MP Camera	DH-HAC-ME1200EQP-L	2MP HDCVI Active Deterrence Fixed IR Bullet Camera, PAL
	DH-HAC-ME1200EQN-L	2MP HDCVI Active Deterrence Fixed IR Bullet Camera, NTSC
Accessories (Optional)	PFA13G	Junction Box
	PFB205W	Wall Mount Bracket
	PFA152-E	Pole Mount Bracket
	PFA109	Mount Adapter
	PFB220C	Ceiling Mount Bracket
	PFM800-E	Passive HDCVI Balun
	PFM321D	12 V 1A Power Adapter
	PFM904	Integrated Mount Tester



Accessories

Optional:



PFA13G
Junction Box



PFB205W
Wall Mount Bracket



PFA152-E
Pole Mount Bracket



PFA109
Mount Adapter



PFB220C
Ceiling Mount Bracket



PFM800-E
Passive HDCVI Balun



PFM321D
12 V 1A Power Adapter



PFM904
Integrated Mount Tester

Dimensions (mm[inch])

