

# DHI-KAPTURE-W2

Wireless antimasking curtain outdoor DT detector



- Communication Distance up to 1.200 mt.
- Wireless curtain PIR up to 12m for side.
- Completely independent detection setting per side
- Low battery alarm.
- Active infrared antimasking.
- Temperature measurement.
- Frequency hopping function and two-way communication technology ensure communication stability.
- Cloud update and automatic recovery from update failure.

## System Overview

Wireless curtain DT detector designed for perimeter protection a buildings awning. The detection, with a range of up to 12m, is entrusted to combination of a passive infrared element of a latest 24GHz pulsed microwave transceiver generation.

## Scene

Ideal for the protection of facades, windows, hallways and porches.

## Technical Specification

### Technical features

Detection method	1 passive infrared (Fresnel lens) + 1 planar 24GHz pulsed microwave
Mouthing height	2.0 to 4.0 mt
PIR coverage	12.0 mt
Vertical opening	About 73 °
Horizontal opening	About 7.5 °
Orientation	Possibility of vertical inclination by means of an angle bracket (included)
Sensitivity adjustment	Combined adjustment for both heads from 30% (L) to 100% (H) (via potentiometer) Independent adjustment for each head from 30% (L) to 100% (H) (by App ViewSensor)
Manual walk-test	Combined for both heads with LED

Walk-test wireless BT	Walk-test and BT wireless programming by VIEW SENSOR App (with optional BT-LINK-S module)
Digital analysis	DUALSENSE algorithm for digital validation of the combined infrared and microwave signal. Automatic temperature compensation
Self-protection	(1) Active IR anti-masking (2) Mechanical anti-opening (3) Anti-tear with digital inclinometer
Power input	2 to 3 V DC
Alarm output	Alarm, tamper, masking, low battery (optomos NC outputs)
LED indicator	Red LED for infrared (only in walk-test) Blue LED for alarm (can be deactivated)
Operation temperature	-40° C to + 70° C
Relative humidity	95% max.
International protection	IP 55
Mouthing	Wall, pole (outdoor, indoor)
Dimension	128 x 41 x 81 mm
Weight	400 gr

## Accessories



DH-LINK-S



- Six types of alarm: intrusion, medical, fire, emergency, gas, and tamper.
- NC and NO are available for alarm inputs (NO by default).
- Signal strength detection.
- Low battery alarm.
- Temperature monitoring.
- Frequency hopping function and two-way communication technology ensure communication stability.
- Cloud update and automatic recovery from update failure.

### Transmitter Technical Specification

#### Port

Indicator Light	1 × green alarm indicator
Button	1 × power button
Protection Zone	1-channel dry contact input

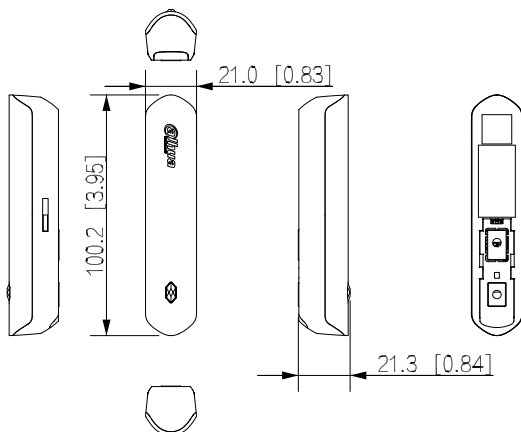
#### Function

Tampering Alarm	Yes
Remote Upgrade	Cloud update
Low Battery Alarm	Yes
Test Mode	Yes
Search	Signal strength detection

#### Wireless

Carrier Frequency	868.0 MHz–868.6 MHz
Communication Distance	Up to 1,200 m (3,937.01 ft) in an open space
Communication Mechanism	Two-way
Frequency Hopping	Yes
Encryption Mode	AES128

#### Dimensions (mm[inch])



#### General

Power Supply Mode	CR123A battery
Power Consumption	Max. 125 mW
Operating Temperature	-10 °C to +55 °C (+14 °F to +131 °F) (indoor)
Operating Humidity	10%–90% (RH)
Dimensions	100.2mm × 20.8mm × 20.3mm (3.94" × 0.82" × 0.80")
Package Dimensions	135.0 mm × 98.5 mm × 27.8mm (5.31" × 3.88" × 1.09")
Installation Mode	Bracket mount
Net Weight	70 g (0.15 lb)
Gross Weight	115 g (0.25 lb)
Certification	CE
Battery Life	NO: 5 years NC: 2 years
Casing Material	PC + ABS

#### Temperature

Measurement Range	-15 °C to +65 °C (+18.8 °F to +149 °F) (indoor)
Measurement Precision	± 1 °C (± 33.8 °F)
Resolution	1 °C (33.8 °F)

