

VXS-RDAM-W2-868

Wireless antimasking outdoor DT detector



- Communication Distance up to 1.200 mt.
- Digital signal analysis to greater reliability.
- 12m battery-powered PIR/MW for approach detection.
- Low battery alarm.
- Active infrared antimasking.
- Temperature measurement.
- Frequency hopping function and two-way communication technology ensure communication stability.
- Cloud update and automatic recovery from update failure.

System Overview

Wireless DT detector is a wireless motion detector that can detect if there is a human moving around the detector. It can detect human or large animals invading the armed area, and provides timely notifications of alarm events, acting as a monitoring mechanism.

Scene

It provides a very reliable approach outdoor detection with a range of up to 12m for residential and commercial applications. .

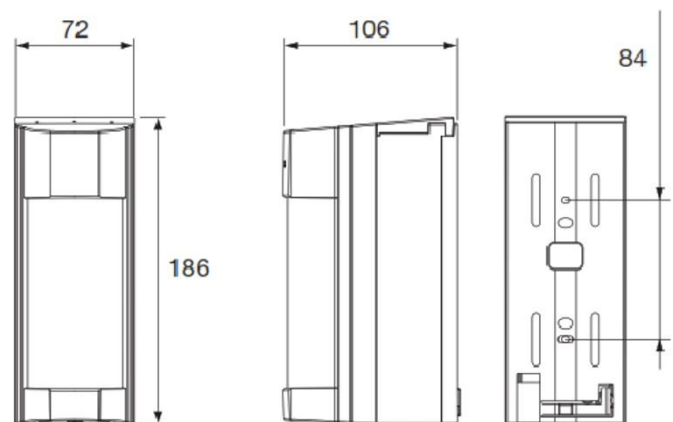
Technical Specification

Technical features

Detection method	Passive infrared & Microwave
PIR coverage	12.0mt wide/16 zones
PIR distance limit	12 - 2.5 mt (5 levels)
Detectable speed	0.3 - 1.5 m/s
Sensitivity	2.0°C at 0.6m/s
Power input	3 - 9 V DC
Current draw	18 uA (standby) / 8 mA (max) at 3 V DC
Alarm period	2.0 +/- 1 sec.
Warm-up period	Approx. 60 sec. (LED blinks)
Alarm output	N.C. / N.O selectable-solid state switch 10V DC 0.001 A (max)
Trouble output	N.C. / N.O selectable-solid state switch 10V DC 0.001 A (max)

LED indicator	Disable: during normal operation Enable: during Walk Test or Led Sw on Red: Warm-up, Alarm, Masking Detection Yellow: Warm-up, MW detect
RF interference	No alarm 10 V/m
Operating temperature	-20° / +45° C
Environment humidity	95% max.
International protection	IP55
Mounting	Wall, Pole (outdoor, indoor)
Mounting height	0.8 - 1.2 m
Weight	600 g

Dimensions (mm)





- Six types of alarm: intrusion, medical, fire, emergency, gas, and tamper.
- NC and NO are available for alarm inputs (NO by default).
- Signal strength detection.
- Low battery alarm.
- Temperature monitoring.
- Frequency hopping function and two-way communication technology ensure communication stability.
- Cloud update and automatic recovery from update failure.

Transmitter Technical Specification

Port

Indicator Light	1 × green alarm indicator
Button	1 × power button
Protection Zone	1-channel dry contact input

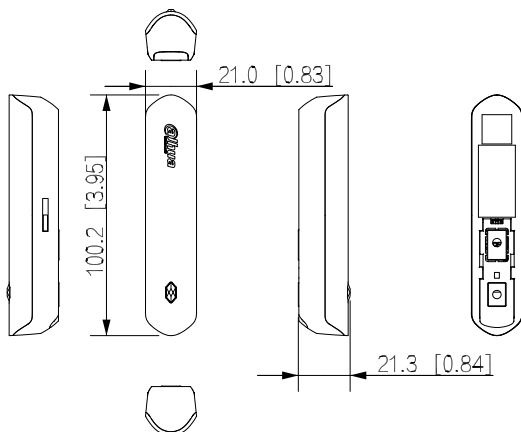
Function

Tampering Alarm	Yes
Remote Upgrade	Cloud update
Low Battery Alarm	Yes
Test Mode	Yes
Search	Signal strength detection

Wireless

Carrier Frequency	868.0 MHz–868.6 MHz
Communication Distance	Up to 1,200 m (3,937.01 ft) in an open space
Communication Mechanism	Two-way
Frequency Hopping	Yes
Encryption Mode	AES128

Dimensions (mm[inch])



General

Power Supply Mode	CR123A battery
Power Consumption	Max. 125 mW
Operating Temperature	-10 °C to +55 °C (+14 °F to +131 °F) (indoor)
Operating Humidity	10%–90% (RH)
Dimensions	100.2mm × 20.8mm × 20.3mm (3.94" × 0.82" × 0.80")
Package Dimensions	135.0 mm × 98.5 mm × 27.8mm (5.31" × 3.88" × 1.09")
Installation Mode	Bracket mount
Net Weight	70 g (0.15 lb)
Gross Weight	115 g (0.25 lb)
Certification	CE
Battery Life	NO: 5 years NC: 2 years
Casing Material	PC + ABS

Temperature

Measurement Range	-15 °C to +65 °C (+18.8 °F to +149 °F) (indoor)
Measurement Precision	± 1 °C (± 33.8 °F)
Resolution	1 °C (33.8 °F)

