

Seismic Detector Keyhole Protector

Model: RK66K

Installation Instructions

Description

The Seismic Detector Keyhole Protector is used in conjunction with the RISCO Seismic Detector to monitor strong room and safe doors with key holes. A micro switch embedded in the swivel plate monitors the swivel arm (90°) motion so that any unauthorized movement triggers an alarm event. Manufactured from hardened steel, the Seismic Detector Keyhole Protector guards the key hole and mechanism, when the system is armed.

Installation on Steel Surface

Step 1:

Weld the metal bracket to the mounting surface.

Step 2:

Screw the swivel mounting plate to the bracket using the supplied mounting bolts (see Figure 1).

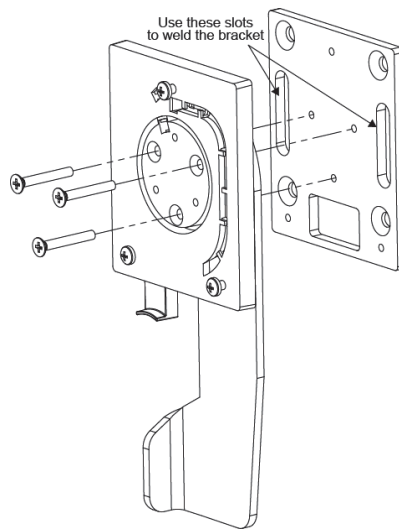


Figure 1

Step 3:

Attach the Seismic detector to the mounting plate with the supplied attachment screws (see Figure 2).

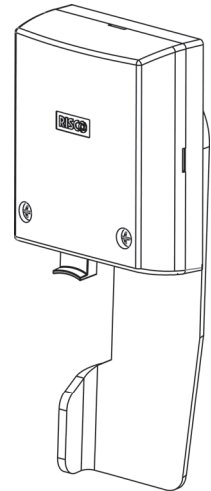


Figure 2

Step 4:

Connect (serial connection) the mounting plate contact wire to the ALARM connections (NO/C/NC) on the terminal block (see Figure 3 and Figure 4).

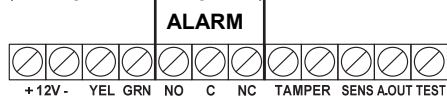


Figure 3

Step 5:

Secure the seismic detector cover with the supplied closing screws (see Figure 5).

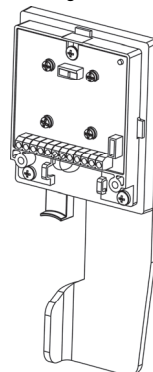


Figure 4

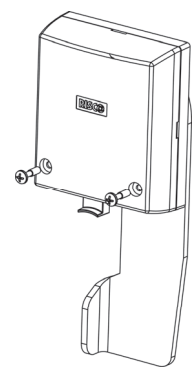


Figure 5

Step 6:

Rotate the covering arm mechanism by releasing the locking button and rotating the arm to the "disarmed" position (see Figure 6 and Figure 7)

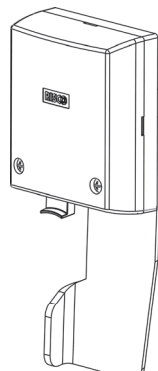


Figure 6

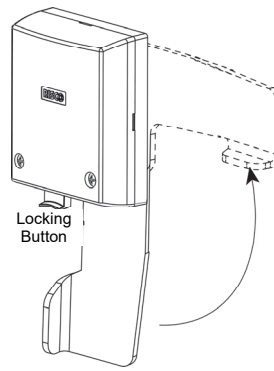


Figure 7

Installation on Concrete

Step 1:

Using the drilling template, drill 4 holes into the metal bracket surface.

Step 2:

Enter 4 wall plugs (see Figure 8).

Step 3:

Secure the metal bracket to the concrete surface with 4 screws (see Figure 8).

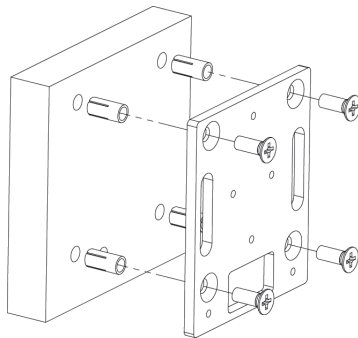


Figure 8

Step 4:

Perform steps 1 to 6 from the previous section (Installation on Steel Surface).

Contacting RISCO Group

RISCO Group is committed to customer service and product support. You can contact us through our website www.riscogroup.com or as follows:

United Kingdom

Tel: +44-(0)-161-655-5500
E-mail: support-uk@riscogroup.com

Italy

Tel: +39-02-66590054
E-mail: support-it@riscogroup.com

Spain

Tel: +34-91-490-2133
E-mail: support-es@riscogroup.com

France

Tel: +33-164-73-28-50
E-mail: support-fr@riscogroup.com

Belgium (Benelux)

Tel: +32-2522-7622
E-mail: support-be@riscogroup.com

China (Shanghai)

Tel: +86-21-52-39-0066
E-mail: support-cn@riscogroup.com

Israel

Tel: +972-3-963-7777
E-mail: support@riscogroup.com

USA

Tel: +1-631-719-4400
E-mail: support-usa@riscogroup.com

RISCO Group Limited Warranty

RISCO Group and its subsidiaries and affiliates ("Seller") warrants its products to be free from defects in materials and workmanship under normal use for 24 months from the date of production. Because Seller does not install or connect the product and because the product may be used in conjunction with products not manufactured by the Seller, Seller cannot guarantee the performance of the security system which uses this product.

Seller's obligation and liability under this warranty is expressly limited to repairing and replacing, at Seller's option, within a reasonable time after the date of delivery, any product not meeting the specifications. Seller makes no other warranty, expressed or implied, and makes no warranty of merchantability or of fitness for any particular purpose.

In no case shall seller be liable for any consequential or incidental damages for breach of this or any other warranty, expressed or implied, or upon any other basis of liability whatsoever.

Seller's obligation under this warranty shall not include any transportation charges or costs of installation or any liability for direct, indirect, or consequential damages or delay.

Seller does not represent that its product may not be compromised or circumvented; that the product will prevent any personal injury or property loss by burglary, robbery, fire or otherwise; or that the product will in all cases provide adequate warning or protection.

Seller, in no event shall be liable for any direct or indirect damages or any other losses occurred due to any type of tampering, whether intentional or unintentional such as masking, painting or spraying on the lenses, mirrors or any other part of the detector.

Buyer understands that a properly installed and maintained alarm may only reduce the risk of burglary, robbery or fire without warning, but is not insurance or a guaranty that such event will not occur or that there will be no personal injury or property loss as a result thereof.

Consequently seller shall have no liability for any personal injury, property damage or loss based on a claim that the product fails to give warning. However, if seller is held liable, whether directly or indirectly, for any loss or damage arising under this limited warranty or otherwise, regardless of cause or origin, seller's maximum liability shall not exceed the purchase price of the product, which shall be complete and exclusive remedy against seller.

No employee or representative of Seller is authorized to change this warranty in any way or grant any other warranty.

WARNING: This product should be tested at least once a week.

Specifications are subject to change without prior notice. Should any questions arise please contact your supplier.