

**HDCVI IR Vari-focal Bullet Camera**  
**User's Manual**

**Version 1.0.1**

# Table of Contents

1	Packing List .....	1
2	General Introduction .....	2
2.1	Overview .....	2
2.2	Features .....	2
3	Device Structure .....	3
3.1	Dimension .....	3
3.2	Cable Port .....	3
4	Installation .....	5
5	HCVR Settings .....	8
5.1	Control Coaxial Device .....	8
5.2	Set Audio Coax .....	8
6	Menu Function .....	10
6.1	Menu Operation .....	10
6.2	Image Adjust .....	12
6.2.1	Image Mode .....	12
6.2.2	Sharpness .....	13
6.2.3	Brightness .....	13
6.2.4	Contrast .....	13
6.2.5	Saturation .....	13
6.2.6	Sharpness Suppression .....	13
6.2.7	Chroma Suppression .....	13

6.2.8	Gamma .....	14
6.2.9	2DNR.....	14
6.2.10	3DNR.....	14
6.3	Advanced.....	14
6.3.1	Smart IR.....	14
6.3.2	Alarm Setting.....	14
6.3.3	Motion Detection.....	15
6.3.4	Privacy Mask.....	15
	Appendix Maintenance .....	16

## Welcome

Thank you for purchasing our HDCVI camera!

This user's manual is designed to be a reference tool for your system.

Please read the following safeguard and warnings carefully before you use this series product!

Please keep this user's manual well for future reference!

## Important Safeguards and Warnings

### Electrical safety

- All installation and operation here should conform to your local electrical safety codes.
- The power shall conform to the requirement in the SELV (Safety Extra Low Voltage) and the Limited power source is rated DC 12V or AC24V in the IEC60950-1. (Power supply requirement is subject to the device label).
- Please install easy-to-use device for power off before installing wiring, which is for emergent power off when necessary.
- Please check if the power supply meets the requirements of working voltage of the camera before operating the device (The material and length of the power supply cable will influence terminal voltage value).
- Please prevent the line cord from being trampled or pressed, especially the plug, power socket and the junction from the device.

### Environment

- Please don't aim the device at strong light (such as lighting, sunlight and so on) to focus.
- Please transport, use and store the device within the range of allowed humidity and temperature.
- Please do not allow water and other liquid falling into the camera in case that the internal components are damaged.
- Please keep the sound ventilation in case of heat accumulation.
- Heavy stress, violent vibration or water splash are not allowed during transportation, storage and installation.
- Please pack the device with standard factory packaging or material with same quality when transporting the device.
- It is recommended to use the device together with lightning protection device to enhance lightning protection effect.
- It is recommended to GND the device to enhance device reliability.
- It is advised to use qualified video transmission cable to improve video quality. It is recommended to use RG59 coaxial cable or higher standard.

### Warning

- Please use the standard accessories provided by manufacturer and make sure the device is installed and fixed by professional engineers.
- Please prevent the device surface from the radiation of laser beam when using laser beam device.

- Please do not provide two or more power supply modes for the device, otherwise it may cause damage to the device.

### **Statement**

- Please refer to the actual product for more details; the manual is just for reference.
- The manual will be regularly upgraded according to the product update; the upgraded content will be added in the manual without prior announcement.
- Please contact the customer service for the latest procedure and supplementary documentation.
- The company is not liable for any loss caused by the operation which is not followed by the manual.
- Please refer to the company's final explanation if there is any doubt or dispute.

# 1 Packing List

Please check if there is any obvious damage to the device appearance when opening the packing box, and confirm if the accessories are in accordance with those in the list, please refer to Table 1-1 for more details about the accessories.

<b>Accessory Name</b>	<b>Quantity</b>
Camera	1
User Manual	1
Installation Accessory Bag	1
Video Adapted Cable	1
Installation Position Map	1
L-shaped Wrench	1

Table 1-1

## 2 General Introduction

### 2.1 Overview

This series HDCVI camera conforms to the HDCVI standard. It supports video signal high-speed long distance transmission without any delay. It can be controlled by the HCVR conforming to the HDCVI.

### 2.2 Features

- Adopts high-performance CMOS image sensor, megapixel definition.
- Supports HD video, control signal coaxial transmission.
- Equipped with vari-focal lens by default, supports coaxial control to adjust lens focus and zoom.
- For 720P series, support RG59 coaxial cable transmission without any loss. The distance is over 800m. For 1080P, 4M and 4K series, support RG59 coaxial cable transmission without any loss. The distance is over 500m.
- High speed, long distance and real-time transmission.
- Supports HDCVI HD and analog SD output simultaneously.
- Supports 3D NR, excellent low illuminance performance.
- Supports ICR switch to realize monitoring both in daytime and at night.
- Supports audio input and output function, audio and video synchronous transmission.
- Supports alarm input and output function, simple networking and low cost.
- Supports OSD menu adjust parameters.
- Supports smart IR function.
- Supports DC 12V/AC 24V power supply.
- Supports power reverse output function.
- Supports IP67 compliance.
- Supports IK10 compliance. (Only supported by some models)
- It can be applied to scenarios which require HD image quality, such as financial, telecom, supermarket, hotel, government, school, airport and factory etc.

### 3 Device Structure

#### 3.1 Dimension

Please refer to Figure 3-1 for the dimension. The unit is mm (inch).

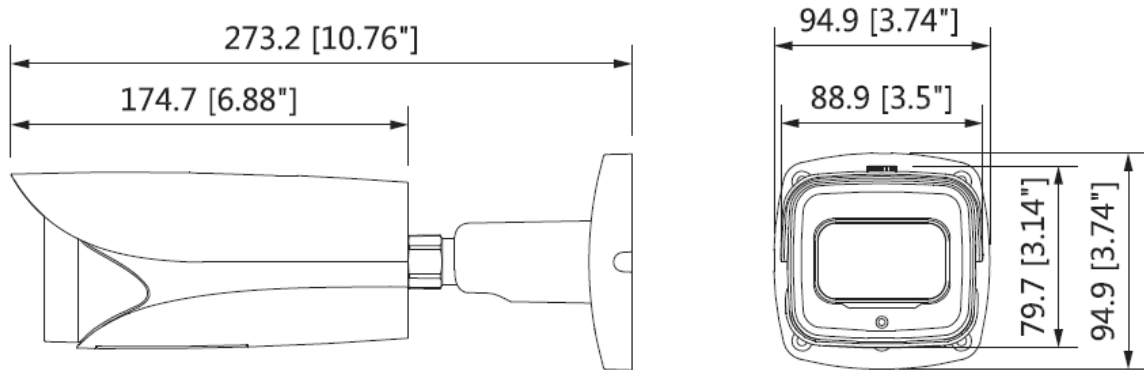


Figure 3-1

#### 3.2 Cable Port

**Note**

- The following figure is for reference only, which is used to know the functions of cable port.
- Different devices may have different cables, please refer to the actual product for more details.

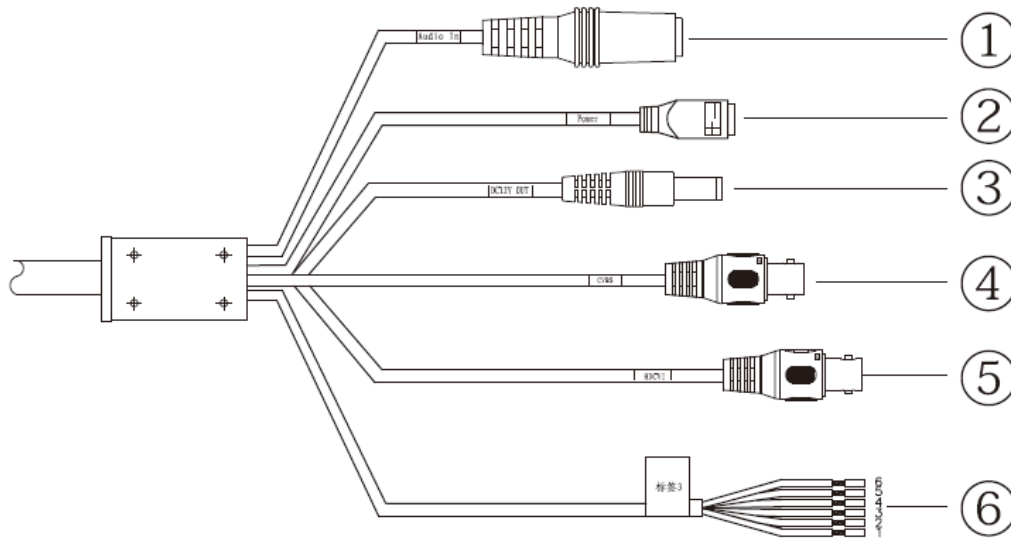


Figure 3-2

Please refer to Table 3-1 for more details about external cable functions.

SN	Port	Port name	Connector	Function description
1	AUDIO IN	Audio input port	Jack	It inputs audio signal, receive analog audio signal from pickup and other devices.



SN	Port	Port name	Connector	Function description
2	POWER	Power input port	-	<p>Input DC 12V or AC 24V, please be sure to conform to device label instruction when providing power for the device.</p> <p><b>Caution</b> It may cause device abnormality or even damage if it fails to provide power to the device according to the device label instruction.</p>
3	DC 12V OUT	Power reverse output port	-	Reversely output DC 12V power, max load 4W.
4/5	VIDEO OUT	Video output port	BNC	<p>It can connect to TV monitor to check image when outputting analog video signal.</p> <ul style="list-style-type: none"> <li>● Yellow: Analog video output port.</li> <li>● Black: HDCVI HD video output port.</li> </ul>
6	I/O	Alarm port	-	<p>Alarm signal input/output.</p> <ul style="list-style-type: none"> <li>● Orange: RS485 port-B.</li> <li>● Yellow: RS485 port-A.</li> <li>● Black: ALARM_GND, same GND for alarm input and output.</li> <li>● Red: ALARM_IN1, alarm input 1.</li> <li>● Green: ALARM_IN2, alarm input 2.</li> <li>● Blue: ALARM_OUT, on-off alarm output.</li> </ul>

Table 3-1

## 4 Installation

### Caution

- Please install the device in time after it is taken apart, which is to avoid the camera module being exposed in humid environment for a long time.
- The installation ceiling or wall shall be thick enough to sustain at least 3X weight of the camera.
- Please do not remove the electrostatic adsorption film on the surface of transparent cover before installation and debugging are completed, which is to avoid damage during installation;
- The following installation figure is for reference only.

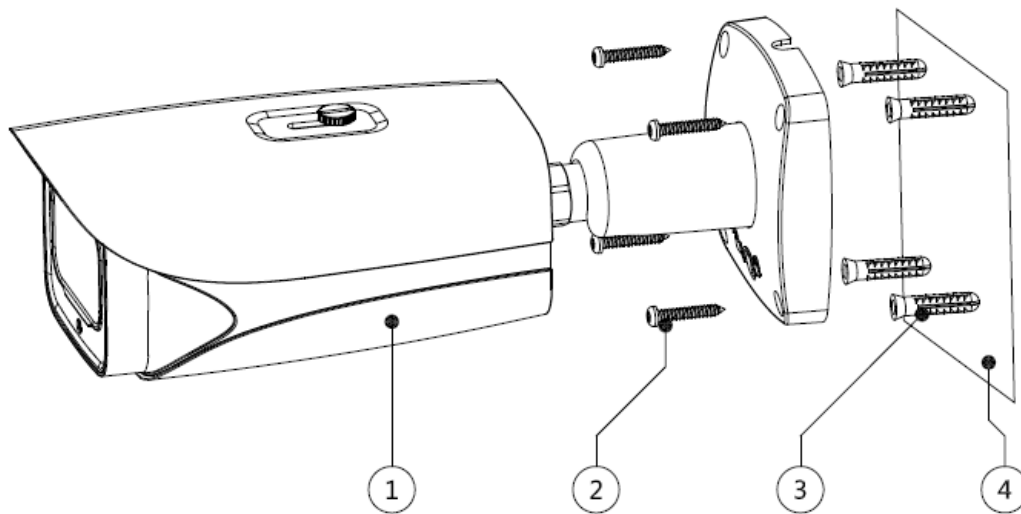


Figure 4-1

SN	Name
1	Bullet body
2	Self-tapping screw
3	Expansion bolt
4	Installation surface

Table 4-1

### Step 1

Take out the installation position map from the accessories bag, stick it on the ceiling or wall ④ according to the outlet location, dig holes on the installation surface according to the installation position map.

- If it is cement wall, it needs to install expansion bolt ③ first (the mounting hole sites of expansion bolt need to be in accordance with those of the bracket), then use self-tapping screws ② to install bracket.
- If it is wooden wall, you can just skip the first step, use self-tapping screws ② to install bracket directly.

### Step 2

Adjust monitoring direction of the camera.

Use the L-shaped wrench in the accessories bag to loosen the adjusting screws, adjust the camera to the specific direction which needs to be monitored, then use L-shaped wrench to tighten adjusting screws firmly and fix the camera.

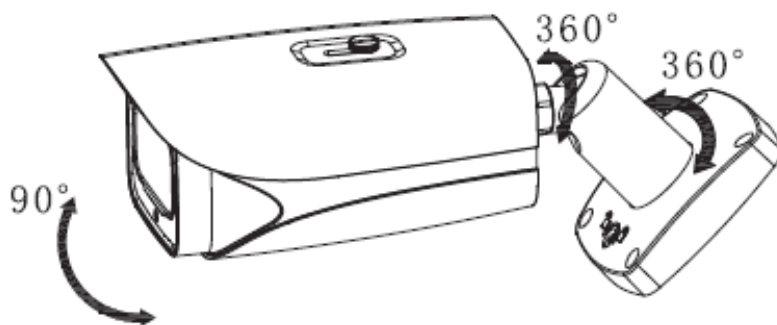


Figure 4-2

**Step 3**

Connect the video output port of the device to the back-end HCVR device, and connect power port to power supply.

**Step 4**

Adjust camera zoom and focus.

Adjust the lens zoom and focus on the HCVR device to make image clear. You can use 5-direction buttons to operate OSD menu, which is shown in Figure 4-3.

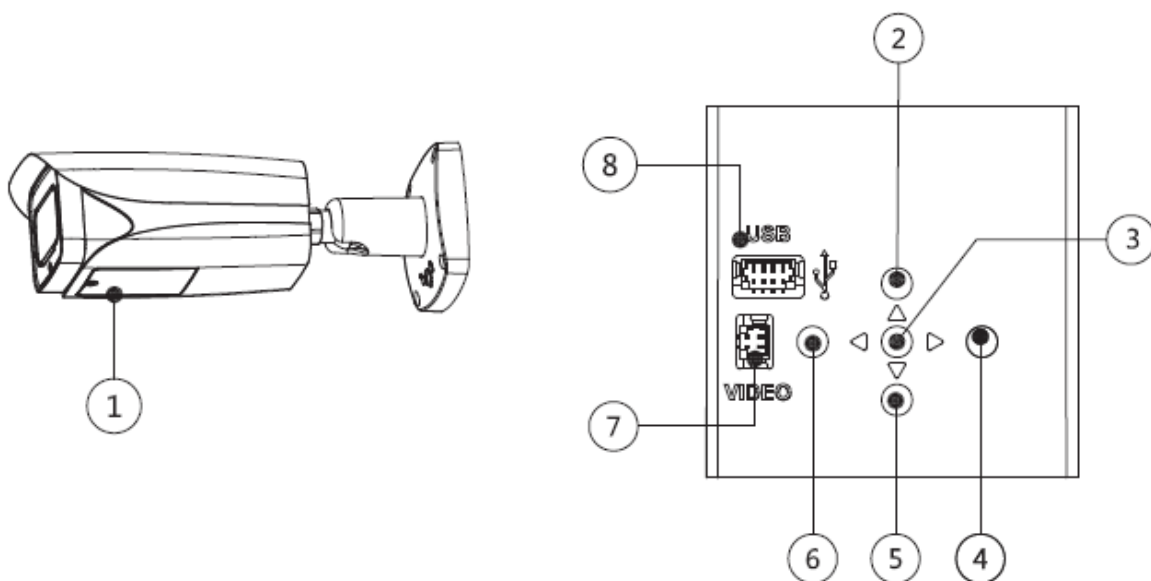


Figure 4-3

Please refer to Table 4-2 for the rear panel description.

SN	Name	Function
1	Lower cover	-
2	Up	<ul style="list-style-type: none"> <li>Select OSD menu items under OSD menu.</li> <li>After exiting OSD menu, press left and right buttons to zoom and press up and down buttons to focus.</li> </ul>
4	Right	
5	Down	
6	Left	
3	Middle	Confirm button.

7	VIDEO	Video output port.
8	USB	It is used for program upgrade.

Table 4-2

- Press the middle button for 2 seconds and enter OSD menu. Then short press the middle button to confirm, up and down buttons are used to select menu items, left and right buttons are used to adjust parameter value.
- Select "Exit" and short press the middle button to exit OSD menu.

**Note**

Left and right buttons can't realize zoom and focus functions when using 5-direction button to operate OSD menu, at this moment, it needs to exit OSD menu and then operate.

So far, device installation and cable connection have been completed, you can check monitoring image via back-end encoding device.

## 5 HCVR Settings

### 5.1 Control Coaxial Device

This HDCVI camera series can adjust OSD menu via coaxial control. After connecting the camera to HCVR, from Main Menu->Setting->System->PTZ, you need to select the channel number for access and set “control mode” as “HDCVI” and the “protocol” as “HD-CVI”. Click “Save” button after setting is completed. See Figure 5-1.

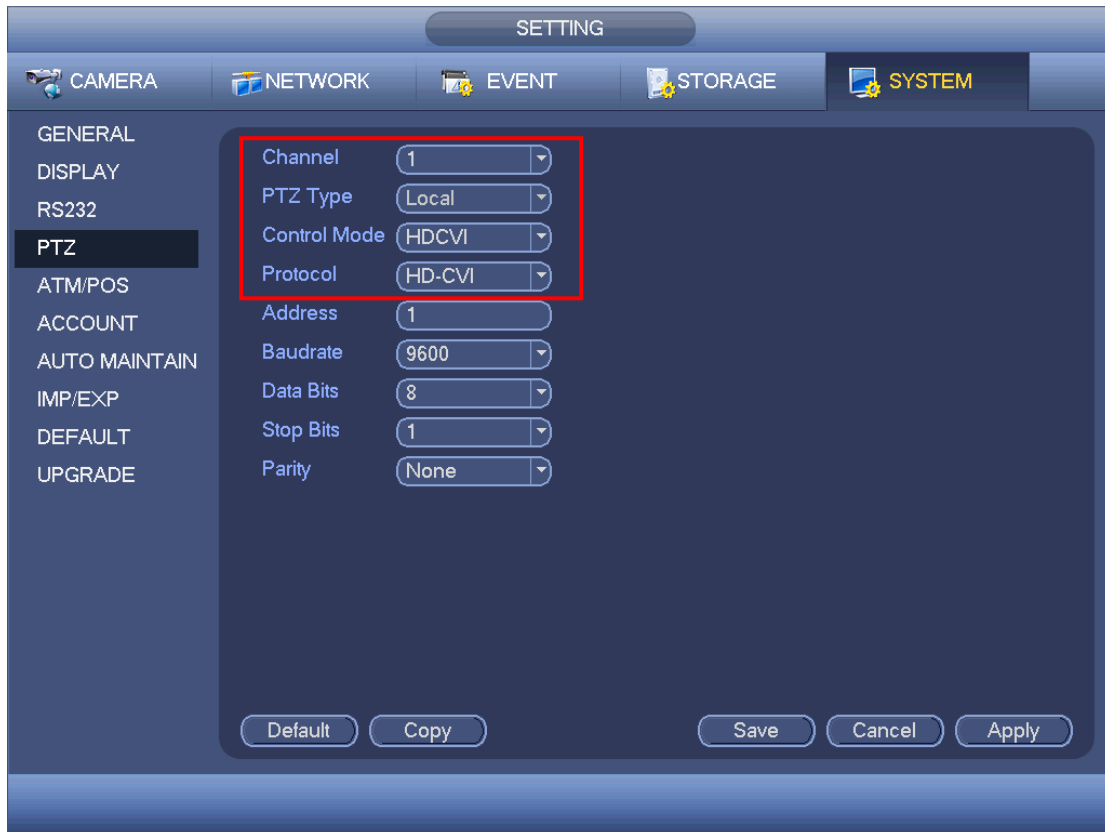


Figure 5-1

### 5.2 Set Audio Coax

From “Main Menu > Setting > Camera > Encode > Encode”, you need to set “Audio Format” as “G711a” and the “Audio Source” as “HDCVI”. Click “Save” after setting is completed. See Figure 5-2 for more details.



Figure 5-2

## 6 Menu Function

### 6.1 Menu Operation

Click the right mouse button and select “PTZ Control”, then you will see the “PTZ Setup” menu, which is as shown in Figure 6-1 and Figure 6-2.



Figure 6-1



Figure 6-2

See Table 6-1 for the details of button functions.












Button	Function
 + 	Open menu.
 , 	Select menu item.
 , 	Select menu value.
 Zoom 	Adjust lens zoom and auto trigger focus.
 Focus 	Adjust the lens focus
 Iris	Auto focus under the current zoom rate.

Table 6-1

Please refer to Figure 6-3 for more details about OSD menu.

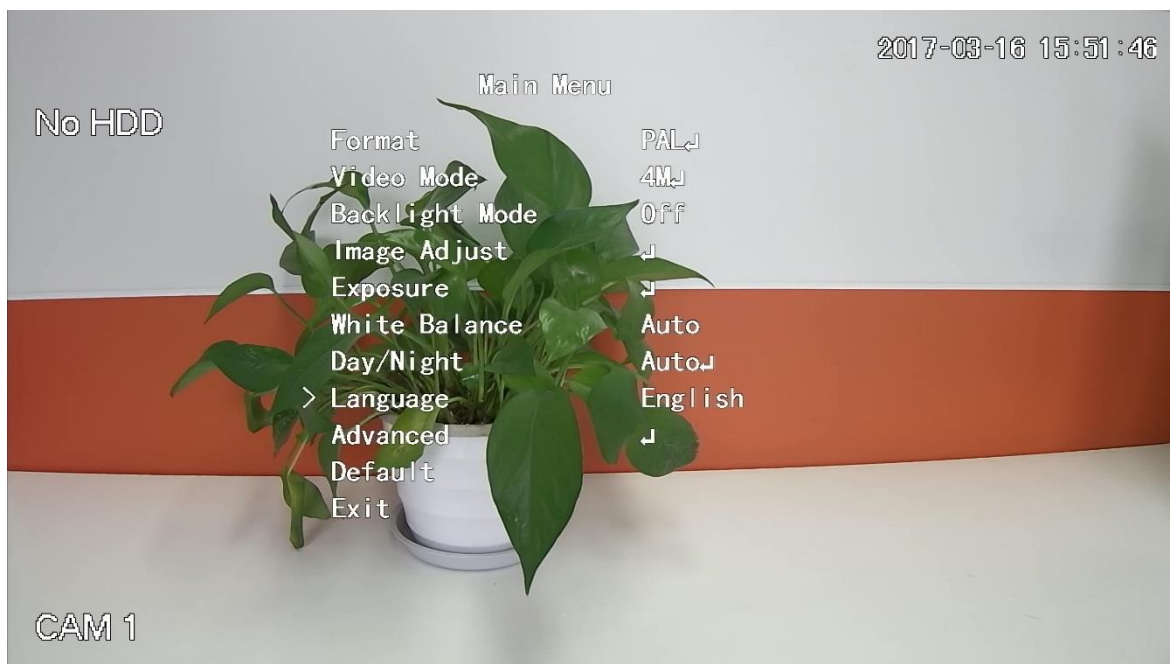


Figure 6-3

If there is “↵” in the parameter value, click the “Enter” button in “Menu Operation” interface to go to the 2nd menu. Click “Return” button to go back to the previous menu interface. Please refer to Table 6-2 for more details about menu path.

1st Menu	2nd Menu	
Format	PAL	
	NTSC	
Video Mode	4K	
	4M	
Backlight Mode	BLC	1~5
	WDR	1~5
	HLC	1~5
	Off	
Image Adjust	Image Mode	Standard/Soft/Flamboyant
	Sharpness	0~15
	Brightness	0~15
	Contrast	0~15
	Saturation	0~15
	Chroma	0~15
	Sharpness Suppress	0~15
	Chroma Suppress	0~15
	Gamma	0~15
	2DNR	0~15
	3DNR	0~15
	Return/Exit	
Exposure	Exposure Mode	Auto/Low noise/Anti-smear/Manual
	Exposure Level	0~15
	Anti-flicker	Outdoor/50Hz/60Hz
	Return/Exit	
White	Auto	



1st Menu	2nd Menu	
Balance	Auto Track	
	Area WB	
	Manual	Blue Gain (0~100) /Red gain (0~100)
	Sodium Lamp	
	Indoor	
	Outdoor	
Day/Night	Auto	
	Black / White	
	Color	
Language	Chinese/English/Korean/Japanese/German/Russian/French/Portuguese/ Spanish/Polish/ Italian	
Advanced	Camera Name	
	Mirror	H-Mirror/ V-Mirror
	D-Zoom	1~8
	Lens Type	Manual/DC
	Lens	Auto Focus/Reset
	Audio Mode	External Audio/Off
	Smart IR	
	Alarm Setting	
	Defog	
	Motion Detection	
	Privacy Mask	
	Coaxial 485	
	System Info	
	Intelligence	Defocus Detection/Video Tampering/Motion Detection/Tripwire/People Counting
Return/Exit		
Default		
Exit	Save	

Table 6-2

#### Note

- The operation interface above is an example of HCVR7116H-4M series, different back-end devices have different operation interface, please refer to corresponding HCVR manual for more details.
- Menus and parameters are slightly different according to different products; please refer to actual device for exact menu.

## 6.2 Image Adjust

Select “Main Menu > Image Adjust” to set the image parameter of the camera, which it to increase the definition of monitoring scene.

### 6.2.1 Image Mode

It is the image display mode which is preset by the system.

- Standard: the standard mode of image display, each parameter is the system default.

- Soft: compared to standard mode, it mainly lowered saturation and sharpness.
- Flamboyant: compared to standard mode, it mainly enhanced saturation.

### **6.2.2 Sharpness**

It is used to adjust the image definition and image edge sharpness.

The bigger the value is, the higher the detail contrast of the image plane becomes, and the image becomes clearer. The image tends to generate noise when the value is set too high. The range is between 0 and 15.

### **6.2.3 Brightness**

It is used to adjust the overall brightness of the image. Users can adjust the value when the image becomes too bright or too dark. Both the dark and bright area will be increased or lowered equally at the same time during adjustment.

The bigger the value is, the brighter the image becomes. The image tends to be foggy or overexposed if the value is set too high. The range is between 0 and 15.

### **6.2.4 Contrast**

It is used to adjust the image contrast. Users can adjust the value when the overall image brightness is appropriate but the contrast is not enough.

The bigger the value is, the more obvious the contrast becomes. The dark area of the image becomes too dark and the bright area tends to be overexposed when the value is set too high; the image becomes foggy when the value is set too low. The range is between 0 and 15.

### **6.2.5 Saturation**

It is used to adjust the color purity. The threshold won't cause any effect to the overall brightness of the image.

The bigger the value is, the higher the purity becomes and more flamboyant the color becomes. The image color becomes too strong when the value is set too big; the image color is not flamboyant enough when the value is set too small. The range is between 0 and 15.

### **6.2.6 Sharpness Suppression**

It is used to suppress image sharpness during high gain, it will cause no influence to low gain effect when modifying the value.

The bigger the value is, the more obvious it becomes for high gain sharpness suppression, and it is blurrier for object edge. The range is between 0 and 15.

### **6.2.7 Chroma Suppression**

It is used to suppress image saturation during high gain.

The bigger the value is, the more obvious it becomes for chroma suppression effect during high gain, and the image color is more likely to tend to be black and white. The range is between 0 and 15.

### **6.2.8 Gamma**

It is used to optimize brightness and contrast and implement subtle adjustment of bright and dark layer.

The image becomes foggier and brighter when the value gets bigger; the image becomes sharper and darker when the value gets smaller. The range is between 0 and 15.

### **6.2.9 2DNR**

It is used to reduce the image noise.

The bigger the value is, the smaller the noise becomes. The range is between 0 and 15.

### **6.2.10 3DNR**

It is used to reduce image noise in low illuminance environment.

Compared to general 2DNR, 3DNR not only realizes noise reduction for brightness and saturation of the video separation signal but also for the original data generated by sensor, which can greatly improve noise reduction capability and make image clearer and brighter, but it is easy to generate smear.

The bigger the value is, the smaller the noise becomes; but it is easier to lose image details and generate smear. The range is between 0 and 15.

## **6.3 Advanced**

Select "Main Menu > Advanced" to set the advanced functions of the camera.

### **6.3.1 Smart IR**

Enable smart IR function, the IR light can be auto adjusted according to the brightness of current environment, which will effectively solve the problem of face overexposure and so on.

The range is between 0 and 15.

### **6.3.2 Alarm Setting**

It can activate motion detection to trigger alarm.

- Alarm type: It is divided into external alarm 1 and external alarm 2.
- Alarm enable: After the device is connected to other alarm devices, enable the function to realize alarm effect.
- Alarm mode: It is divided into NC and NO.
  - ✧ NC: It is normally closed when there is no alarm signal; it is normally open when there is alarm signal.
  - ✧ NO: it is normally open when there is no alarm signal; it is normally closed when there is alarm signal.

### 6.3.3 Motion Detection

It is used to detect if there is any moving object in the area which has been set. It will trigger alarm when there is moving object in the monitoring area. Users can select different areas and sensitivity levels according to the actual needs.

- Area selection (SN): It is to select the serial number of the motion detection box. It is between 0 and 3.
- Display: It is to set if it is to display the current motion detection box on the image.
- Alarm upload: It is to select if it is to upload the detected alarm.
- Sensitivity: It is to set the sensitivity. The range is between 0 and 10.
- Area setting: It is to set the location and size of the current motion detection box.

### 6.3.4 Privacy Mask

It is used to set the privacy mask area. It can mask some certain areas in the device monitoring range to protect privacy; for example, it needs to mask privacy in the ATM where the users need to enter password.

- Area selection (SN): select the area which is to be set. It is between 0 and 3.
- Display (on/off): select if the area is masked.
  - ✧ On: The area is enabled to mask.
  - ✧ Off: The area is disabled to mask.
- Area setting: it is to set the location and size of the masked area.

# Appendix Maintenance

## Attention

Please maintain the device according to the following instructions in order to ensure the image effect and long-term stable operation of the device.

## Maintenance for lens and mirror surface

The lens and mirror surface are covered with antireflection coating, so it may produce hazardous substance and lead to performance reduction or scratch, dimness etc. Please don't touch sensor CCD (or CMOS) directly, you can use hair dryer to remove dust or dirt on the lens surface. Please use dry cloth slightly soaked with alcohol to get rid of dust and dirt gently if it is necessary to be cleaned.

## Camera Body Maintenance

Use a soft dry cloth to clean the camera body when it is dirty, in case the dirt is hard to remove, use a clean dry cloth soaked with mild detergent and wipe gently, make it dry later. Don't use volatile solvent like alcohol, benzene, thinner and etc. or strong detergent with abrasiveness, otherwise it will damage the surface coating or reduce the working performance of the device.

## Maintenance for Dome Cover

Dome cover is an optical device, please don't touch or wipe cover surface directly during installation and use, please refer to the following methods to deal with once dirt is found:

Stained with dirt

Use oil-free soft brush or hair dries to remove it gently.

Stained with grease or fingerprint

Use soft cloth to wipe the water drop or oil gently to make it dry, then use oil-free cotton cloth or paper soaked with alcohol or detergent to wipe from the lens center to outward. It is ok to change the cloth and wipe several times if it is not clean enough.

## Note

- **This manual is for reference only. Slight difference may be found in the user interface.**
- **All the designs and software here are subject to change without prior written notice.**
- **All trademarks and registered trademarks mentioned are the properties of their respective owners.**
- **If there is any uncertainty or controversy, please refer to the final explanation of us.**
- **Please visit our website or contact your local service engineer for more information.**