



The new era of
Voice Evacuation Systems

PAW5500-VES PAW51K-VES

Compact VES
For wall mounting





PAW5500-VES Range

500W Wall mounting compact VES

The PAW5500-VES compact systems - equipped with EN54-16 & EN54-4 certified control units - are all specifically designed for ease of installation and for operating in a vast range of applications.

These systems are able to manage, depending on the model, **from 2 up to 6 alarm zones** via remote microphone stations and controlled control inputs.

Three available models:

- PAW5502-V 500W / 2 zones | double output line (A+B)
- PAW5504-V 500W / 4 zones | double output line (A+B)
- PAW5506-V 500W / 6 zones | double output line (A+B)

But it's not over.....

Coming soon!



PAW51K-VES Range

1000W Wall mounting compact VES

A brand new range, also equipped with a EN54-16:2008 & EN54-4 certified control unit but these units **add to the PAW5500-VES functional features a real power boost: 1000 W!**

As for the PAW5500-VES units, they are able to manage, depending on the model, multiple alarm zones: in this case, **from 4 up to 6 zones**. Two models will be available:

- PAW51K4-V 1000W / 4 zones | double output line (A+B)
- PAW51K6-V 1000W / 6 zones | double output line (A+B)

PAW5500-VES & PAW51K-VES functional features:

- Rated audio output: 500 W / 1000 W overall, distributable freely among the zones with a maximum limit of 250 W per single zone.
- Backlit 4.3" display with touch screen for selecting the alert and evacuation zones and enabling navigation for adjusting volume levels, configuring the equipment and viewing failures.
- Handheld fireman's microphone (included).
- Double A+B output for each zone.
- Automatic stand-by amplifier management.
- Sending out of pre-recorded EVACUATION and ALERT messages.
- Sending out of pre-recorded BROADCAST messages (i.e. spots, announcements, sound bells).
- Playing back of pre-recorded messages via monitor loudspeaker.
- Double LINK line for connecting other PAW units (up to a total of 6 units).

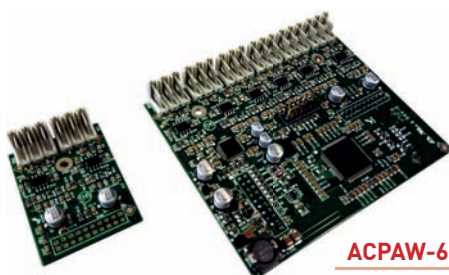




- Multilanguages management.
- Built-in SD/USB input for background music MP3 player.
- 7 off controlled contact inputs, configurable for active playing the evacuation and/or alert messages to the programmed zones or for reset.
- 1 off music input for sound sources.
- 1 off auxiliary input configurable as a music source, a call with precedence activation or a call with automatic activation (VOX).
- 3 off configurable relay outputs for faults/emergency conditions.
- Event log (list of failures and/or alarms that have occurred in the system).
- Protected local button for placing the system in an emergency state, equipped with its own LED.
- Local reset button.
- 3-band equalisation for each zone outputs.
- 3-band equalisation for music inputs.
- Timer to set the automatic broadcast messages sending out.
- Independent selection on each zone of the various audio sources (MUSIC IN, AUX IN, MP3 player and EXT).
- Up to 8 pre-recorded messages can be retrieved from outside through input contacts (of which 2 fixed emergency messages - 1 alert and 1 evacuation message - plus 6 that can be classed as emergency / evacuation / broadcast messages).
- Up to 16 **PMB106-G** and/or **PMB112-G** broadcasting microphone stations can be connected.
- Up to 4 **PMB132** remote emergency units can be connected (or, as an alternative, 2 touchscreen units **TSB8500-V**).
- **EN54-4** certified battery charger unit for 24Vdc secondary power supply (batteries not included).

Plus:

- Mounting on 19" rack (optional, with **ACPAW-RCK** accessory kit).
- Optional internal expansion card **ACPAW-2IN** for two additional music inputs (EXT 1 and EXT 2).
- Optional internal expansion card **ACPAW-6IN** with DSP for six additional music inputs.
- Up to 4 broadcasting stations can be set for local calls only (zones of the unit to which they are connected).



ACPAW-2IN
Expansion
2 inputs

ACPAW-6IN
Expansion
6 inputs

Complete your system with...



TSB8500-V

Emergency touch screen units
(up to 2 per system)
As an alternative to
PMB132 Range units



PMB Range

Paging units
(up to 16 per system)

PMB132 Range

Emergency units
(up to 4 per system)



ACPAW-RCK

Support kit for
rack mounting



| MODEL | PAW5502-V | PAW5504-V | PAW5506-V | PAW51K4-V | PAW51K6-V |
|---|---|---|--|---|---|
| Rated audio output @230Vac | 500 W / D=2,5%* | | | 1000 W / D=2,5%* | |
| Rated audio output @24Vdc | 400 W / D=10%* | | | 800 W / D=10%* | |
| Display | 4.3", backlit with touch screen, 480x272 pixels | | | | |
| N° of PAW/x per system | Max 6 (ID 0÷5) | | | | |
| N° of zones/amplifiers | 2 | 4 | 6 | 4 | 6 |
| Inputs | | | | | |
| Emergency microphone • Sensitivity / Impedance • Frequency response • S/N ratio | Balanced XLR-F on the front door Signal level: 20 mV / 10 kΩ 60 ÷ 20.000 Hz 72 dB | | | | |
| Paging units (BROAD.) • Sensitivity / Impedance • Frequency response • S/N ratio | 1 off Rj45 for paging units (PA) - PMB106/112 range Signal level: max. 1400 mV / 85 kΩ 60 ÷ 20.000 Hz 83 dB | | | | |
| Emergency units (EMERG.) • Sensitivity / Impedance • Frequency response • S/N ratio | 1 off Rj45 for emergency microphone units (PMB132 range or TSB8500-V) Signal level: max. 1400 mV / 85 kΩ 60 ÷ 20.000 Hz 83 dB | | | | |
| AUX (LINE-VOX) • Sensitivity / Impedance • Frequency response • S/N ratio | Balanced with terminals (HOT-COM-GND) Programmable in ON / OFF / VOX with A.P.T. modes Precedence input with contact closing activation 134 mV / 31 kΩ 90 ÷ 20.000 Hz 81 dB / 85 dBA | | | | |
| MUSIC / EXT • Sensitivity / Impedance • Frequency response • S/N ratio | Balanced with terminals (HOT-COM-GND) 134 mV / 31 kΩ 90 ÷ 20.000 Hz 81 dB / 85 dBA | | | | |
| Equalisation | | | | | |
| Independent equalisation for each zone | Independent 3-band equaliser Bass tones (100 Hz): ± 10 dB Middle tones (1 kHz): ± 10 dB Treble tones (10 kHz): ± 10 dB | | | | |
| Independent equalisation for each music input | | | | | |
| Outputs | | | | | |
| Constant voltage outputs With double lines (A/B) One zone output can be configured as a standby for the others. | 2 zones for 100V lines Minimum 40 Ω | 4 zones for 100V lines Minimum 40 Ω | 6 zones for 100V lines Minimum 40 Ω | 4 zones for 100V lines Minimum 40 Ω | 6 zones for 100V lines Minimum 40 Ω |
| REMOTE LINK A/B • Output level / Impedance • Sensitivity / Input impedance | 2+2 off Rj45 for connection with other PAW5500-VES 1 V / 400 Ω 3600 mV / 3 kΩ | | | 2+2 off Rj45 for connection with other PAW51K-VES 1 V / 400 Ω 3600 mV / 3 kΩ | |
| Emergency controls • Controlled inputs CONTACT • Outputs R1, R2, R3 | Programmable for normally active or normally inactive state 7 off inputs with diagnostic 3 relays for signalling, state of emergency and faults, N.O-N.C-Exchange state | | | | |
| General information | | | | | |
| Mains power supply @230Vac Consumption @230Vac | 230 Vac 50/60Hz +10/-15% 646 W full load 36W no load | 230 Vac 50/60Hz +10/-15% 653 W full load 47 W no load | 230 Vac 50/60Hz +10/-15% 660 W full load Efficiency: 75,6% 58 W no load | 230 Vac 50/60Hz +10/-15% 1280 W full load Efficiency: 75,6% 58 W no load | |
| Secondary power supply @24 Vdc (26,3 Vdc) Secondary power supply Consumption @24 Vdc | 20 A full load 0,92 A no load / quiescent 0,3 A no load / energy saving | 20 A full load 1,22 A no load / quiescent 0,3 A no load / energy saving | 20 A full load 1,5 A no load / quiescent 0,3 A no load / energy saving | 40 A full load 2 A no load / quiescent 0,37 A no load / energy saving | |
| Batteries | Suggested model: W-MS12/28 (26÷28 Ah) It is possible to use other batteries (18 Ah - 33 Ah - 40 Ah) | | | 40 Ah batteries only | |
| Charger / Power supply unit | 8 A (I max. a) 12 A (I max. b) 21 V (final voltage – detached battery) 27,2 V (complete load voltage) | | | 16 A (I max. a) 24 A (I max. b) 21 V (final voltage – detached battery) 27,2 V (complete load voltage) | |
| Operating conditions | Temperature: +5°C ÷ +40°C Relative humidity: 25% to 75% (non-condensing) | | | | |
| Type of mounting | Wall mounting | | | | |
| Dimensions (W x H x D) | 430 x 620 x 240 mm | | | | |
| Net weight (without batteries) | 20 kg | | | 22 kg | |

*typical distortion at 25 W 0,025%

PASO S.p.A.
Via Settembrini, 34 - 20020 Lainate (MI) - ITALIA
Telefono: +39.02.58077.1 | Fax: +39.02.58077.277 | E-mail: info@paso.it | Web: www.paso.it

PASO S.p.A. strive to improve their products continuously, and therefore reserve the right to make changes to the drawing and technical specifications at any time and without notice.



09/96-E



IP55



Suited to both indoor and outdoor use, the PASO **C6000-EN** range comprises two models: the **C6120-EN**, with eight 3" full range woofers, and the **C6060-EN**, with four 3" full range woofers. Both versions have the same sleek, lightweight and durable, powder-coated aluminum housing. Completely dustproof and waterproof, the enclosure's grille is covered with a special hydrophobic fabric to ensure absolute rejection of all atmospheric agents. **Full EN54-24 certification also means both columns can be used for emergency and evacuation applications** - in the event of a fire, all **C6000-EN** columns are equipped with a ceramic terminal block and thermal fuse. Available in white/black color.



IP55



The PASO **C1000-EN** range delivers enhanced options for systems integrators with the possibility of using a single system for both weather resistant sound reinforcement and voice alarm / evacuation functions. All of the new C1000-EN series enclosures are internally equipped with ceramic terminal blocks and thermal fuses, ensuring the continued operation of loudspeakers in the event of a fire. In addition, all connections use flame-retardant cabling which adheres to the EN50200 standard (with IP68 airtight cable glands). Black color.



IP55

Suitable for use both indoors and outdoors, the PASO **C1000-TW** can provide IP55-rated extreme water and particle resistance (including a water-stop grille) in both point source and line array formats. Grey color (RAL 7011).

| MODEL | C6120-EN | C6120N-EN | C6060-EN | C6060N-EN |
|--------------------------|--|-----------|--|-----------|
| Output power | 120 W | | 60 W | |
| Type | 1-way | | | |
| Line transformer 100V | 120 W / 60 W | | 60 W / 30 W | |
| Nominal impedance | 8 Ω | | 16 Ω | |
| Frequency response @-6dB | 140 ÷ 20.000 Hz | | | |
| Sensitivity @ 1W/1m | 95 dB | | 92 dB | |
| Maximum SPL cont/peak | 119 / 122 dB | | 113 / 116 dB | |
| Dispersion | H 110° x V 15° narrow mode H 110° x V 40° wide mode | | H 110° x V 25° narrow mode H 110° x V 50° wide mode | |
| Recommended HP filter | 130 Hz / 24 dBoct | | | |
| Input connectors | Ceramic terminal block | | | |
| Color | White | Black | White | Black |
| Dimensions (W x H x D) | 100 x 704 x 125 mm | | 100 x 368 x 125 mm | |
| Net weight | 4,7 kg | | 2,8 kg | |

COLUMNS ACCESSORIES



Flying bar

AC6101 (white)
AC6101-N (black)



Joint bar

AC6102 (white)
AC6102-N (black)



Directional wall mount (vertical)

AC6103 (white)
AC6103-N (black)



Directional wall mount (horizontal)

AC6103 (white)
AC6103-N (black)

| MODEL | C1200-EN | C1100-EN | C1050-EN | C1200-TW | C1100-TW | C1050-TW |
|--------------------------|--------------------|--------------------|--------------------|--------------------|--------------------|--------------------|
| Output power | 200 W | 100 W | 50 W | 200 W | 100 W | 50 W |
| Type | 2-way | | | | | |
| Line transformer 100V | 200 W / 100 W | 100 W / 50 W | 50 W / 25 W | 200 W / 100 W | 100 W / 50 W | 50 W / 25 W |
| Nominal impedance | 8 Ω | | | | | |
| Frequency response @-6dB | 68 ÷ 20.000 Hz | 94 ÷ 20.000 Hz | 100 ÷ 18.000 Hz | 68 ÷ 20.000 Hz | 94 ÷ 20.000 Hz | 100 ÷ 18.000 Hz |
| Sensitivity @ 1W/1m | 97,5 dB | 94 dB | 87,5 dB | 97,5 dB | 94 dB | 87,5 dB |
| Maximum SPL cont/peak | 120 / 126 dB | 115 / 121 dB | 104 / 110 dB | 120 / 126 dB | 115 / 121 dB | 104 / 110 dB |
| Dispersion | 80° conical | 90° conical | H 100° / V 70° | 80° conical | 90° conical | H 100° / V 70° |
| Recommended HP filter | 50 Hz / 24 dBoct | 70 Hz / 24 dBoct | 80 Hz / 24 dBoct | 50 Hz / 24 dBoct | 70 Hz / 24 dBoct | 80 Hz / 24 dBoct |
| Input connectors | 4-wire cable | | | | | |
| Color | Black | | | Grey (RAL 7011) | | |
| EN54-24 certification | Yes | | | No | | |
| Protection degree | IP 55 | | | | | |
| Dimensions (W x H x D) | 430 x 430 x 400 mm | 285 x 285 x 250 mm | 168 x 222 x 200 mm | 430 x 430 x 400 mm | 285 x 285 x 250 mm | 168 x 222 x 200 mm |
| Net weight | 15 kg | 7 kg | 3,5 kg | 15 kg | 7 kg | 3,5 kg |

PASO S.p.A.

Via Settembrini, 34 - 20020 Lainate (MI) - ITALIA
Telefono: +39.02.58077.1 | Fax: +39.02.58077.277
E-mail: info@paso.it | Web: www.paso.it

PASO S.p.A. strive to improve their products continuously, and therefore reserve the right to make changes to the drawing and technical specifications at any time and without notice.



09/98-E

MIM1000

Music Internet Monitoring System



MIM1000 MUSIC INTERNET MONITORING

MUSIC | SOURCE1000 multi-source remote modules for playing music through a simple USB, Bluetooth and FM radio. These modules, connected to the PASO multi-channel system, enable different music signals on different zones. SOURCE1000 is ideal for typical applications like hotels and shopping centers where is required remote points to select your music.

INTERNET | MIM1000-ILan module for controlling SOURCE1000 devices connected to PASO systems and for reading information about the audio system by a network via App and ModBus.

MONITORING | Thanks to the integration between the PASO system with this MIM1000-IMod module, it is now possible to get the report of the system status events easier and faster.

SOURCE1000 | Multisource remote control

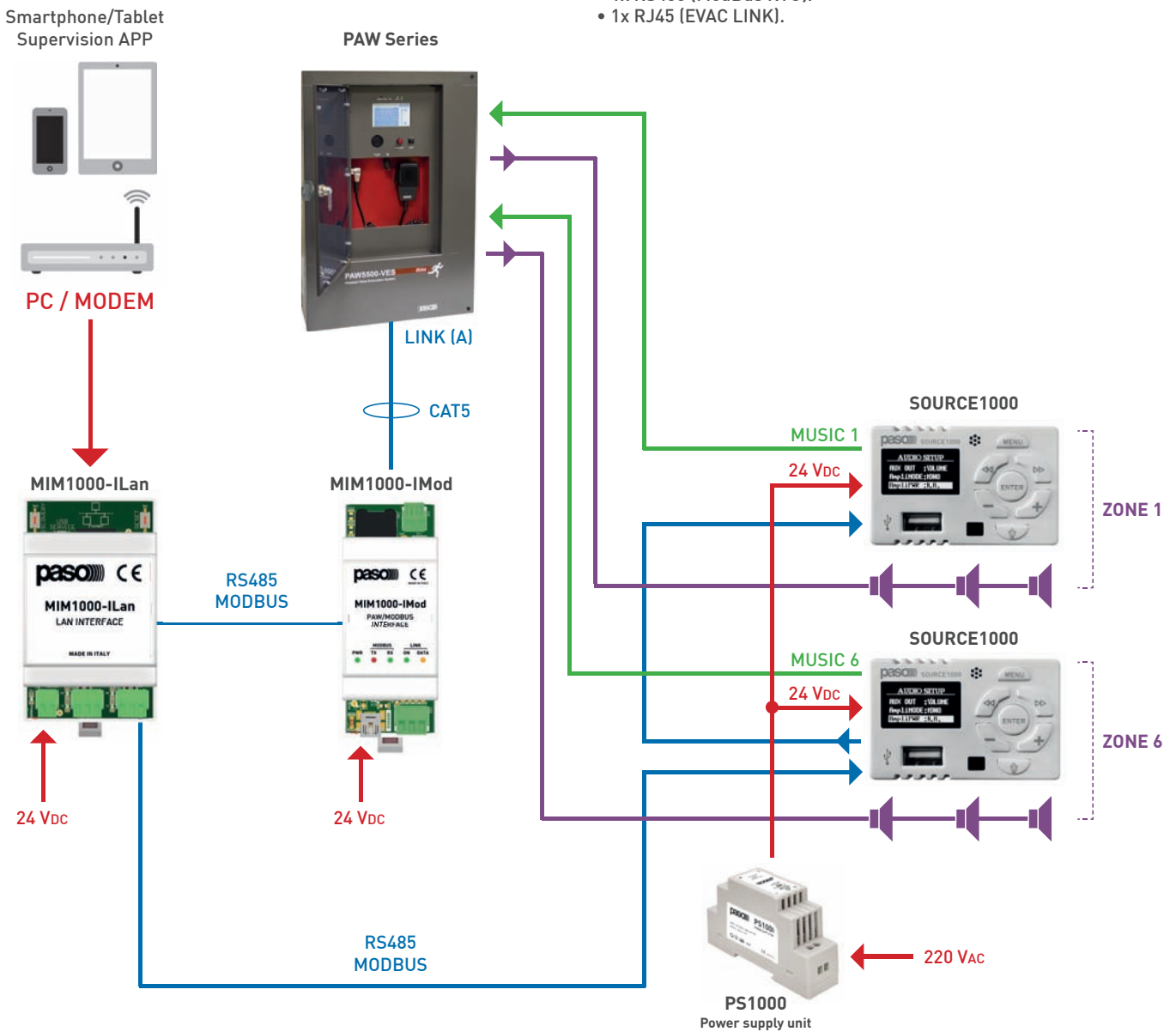
- Bluetooth for audio streaming.
- FM radio with RDS.
- USB reader (for super audio CD, MP3,WMA, ACC files).
- 2 auxiliary inputs / Input for microphone station unit.
- Slim remote control included.
- Suitable for common flush-mounting boxes.
- Available colors: White (SOURCE1000-W) / Black (SOURCE1000-B).

MIM1000-ILan | Lan Interface

- Supervision of all SOURCE1000 connected devices (up to 30).
- App (iOS, Android, PC, MAC) & Configuration Software (WIN, MAC).
- 2x RS485 (1x Bus SOURCE1000 - 1x Bus MIM1000-Imod).
- 1x RJ45 (LAN).

MIM1000-IMod | PAW/MODBUS Interface

- Communication device between PAW units and ModBus RTU protocol.
- ModBus address configuration via frontal dip-switch.
- LED diagnostic of MODBUS/LINK communication.
- Warning signal if lack of communication on EVAC LINK line is detected.
- Protocols: EVAC (RJ45 LINK) / ModBus RTU (Supervision).
- 1x RS485 (ModBus RTU).
- 1x RJ45 (EVAC LINK).



PASO S.p.A.
Via Settembrini, 34 - 20020 Lainate (MI) - ITALIA
Telefono: +39.02.58077.1 | Fax: +39.02.58077.277
E-mail: info@paso.it | Web: www.paso.it

PASO S.p.A. strive to improve their products continuously, and therefore reserve the right to make changes to the drawing and technical specifications at any time and without notice.





ACFK20, ACFK20-DIN

VOX AUDIO FILTER BOARDS

The module **ACFK20** activates an Automatic VOX function in presence of a signal in input despite the presence of tone signals (typically 30 Hz and 20 kHz) used for diagnosis in

voice evacuation systems. The input signal, filtered eventually, is brought - via a line buffer - to low impedance and balanced output. The board audio input can be connected to signal line (0 dB) or to the usual 100V speakers (100V).

Suitable trimmers allow VOX and audio output levels set up. During the installation, it is possible to select the filter (Low -pass and or High-pass).

An output relay contact will be activated during a VOX active function status. The interface then helps to report to the eventual auxiliary apparatus the presence of an audio signal (for example an announcement message) excluding eventual pilot tone of control.

The boards require an external power supply within the range of 12Vdc - 24Vdc.

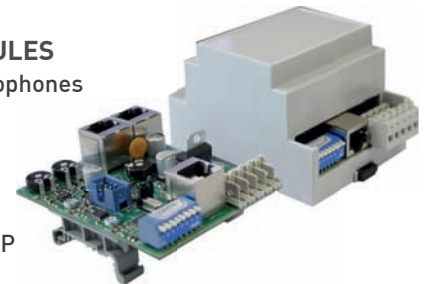
ACFK20 can be installed inside an electrical derivation box, while **ACFK20-DIN** is supplied with a plastic box for an easy and fast installation on standard DIN guide.

ACPMB, ACPMB-DIN

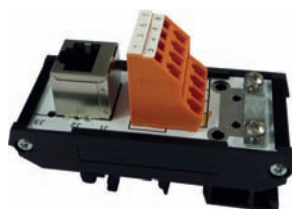
MICROPHONE CALL STATIONS INTERFACE MODULES

The interface **ACPMB** allows to manage standard microphones (dynamic or electret types) or an audio input with level signals (0 dB) in order to operate within the communication line of **PMB106/112 PASO paging units series**. These units are daisy chain connected to the same PMB stations system line. On CAT5e SF/UTP cables are present:

- Power supply
- Analogue audio signal
- Digital command and interface addresses



It is possible to connect up to 4 units to the single serial line. The audio input, electronically balanced with or without phantom power, can be a microphone input (**B700 series**) or suitable to pre-amplified microphones stations (**B711, B53, etc. series**). The volume output and input sensibility can be easily set through a trimmer. The interface operates in "automatic activation mode" through VOX with adjustable level or through a priority contact. Thanks to appropriate dip-switches, it is possible to set the selection of the zone to which the messages must be sent (general call or group of zones from 1 to 6). The ACPMB board can be fit in a common DIN rail electrical box. The item **ACPMB-DIN** is already supplied with a plastic box which is making practical and fast its relevant installation on standard DIN guide.



ACRJ45/M-DIN

RJ45 CONNECTOR ADAPTER

The **ACRJ45/M** is an ideal adapter for installation and cabling purposes when the soldering or the crimping are not recommended. **ACRJ45/M** features a female RJ45 socket where the pins are 8 quick coupling, the wires can be fast - fixed

thanks to flathead screwdriver. **ACRJ45/M** is having a specific support for installation on DIN standard guide set internally to a rack or inside an electrical derivation box.



ACRJ45, ACRJ45-DIN

RJ45 IN/OUT TERMINAL STRIP INTERFACES

The module **ACRJ45** is ideal for installations that need to wiring standard cables to cat5 cables via RJ45 connectors. **ACRJ45** allow - in a fast and easy way - daisy connections, derivations terminal, bus interruption and, when it becomes

necessary, to insert an audio signal or a supplementary power supply in CAT5 lines.

ACRJ45 terminal strip interface features two RJ45 sockets for daisy connection continuity and screw clamps for single wires cabling.

The modules **ACRJ45**, besides normal RJ45 terminal adapter functions of **ACRJ45/M**, provide jumpers based on the different use set up and possible systems configuration as follows:

- Daisy bus interruption by opening the various RJ45 pins.
- To insert an analogue audio signal into the secondary input of **PASO PMD amplifiers series** on CAT5 line.
- To insert a supplementary power supply destined to pre-amplified stations (i.e. **B711** and **B53** series) by setting a protection by a diode on power supply pin.
- Parallel connection of two inputs "UNIT" (amplifiers **AW5600 / AX3500** series) for the bases **B711** and **B53** series, with power supply protection.

The boards **ACRJ45** can be installed inside an electrical derivation box.

The **ACRJ45 -DIN** is already supplied with a plastic box allowing a practical and fast installation on DIN standard guide.

ACLTR1, ACLTR1-DIN

100V/LINE LEVEL INTERFACES

The module **ACLTR1** allows audio signal interface through a galvanic separator transformer. The audio input of the board can be connected to a balanced mono line 0db, 4 Ohm amplified line, 100V constant tension line or to an unbalanced signal line L+R (audio sources typical signal) in order to have the sum of L+R channels in mono. The output line level is balanced by a transformer and its setting can be done thanks to an appropriate trimmer used in attenuation or by inserting a passive filter in order to eliminate the test signal (typically 20 KHz) used with voice evacuation system. These boards are passive units and do not require external power supply. This module is necessary for long distance connections of unbalanced sources or when it is necessary to convert the signal coming from a 100V speaker line to a 0 dB signal line.

The module **ACLTR1** can be installed inside an electrical derivation box.

The **ACLTR1 -DIN** is already supplied with a plastic box allowing a fast and practical installation into DIN standard guide .



ACREL2, ACREL2-DIN

2-AUX-RELAY BOARD

The board **ACREL2** is ideal for cabling and installatons where the relay use is necessary for generic purposes.

The board is equipped by two independent relays with double ex-change 5A (500W/100V) with all In/Out present contacts on terminal strip. The particularity of this interface

is the versatile power supply circuit which allows the coil to be driven within the range of 12Vdc - 24Vdc. The board **ACREL2** can be inserted inside an electrical derivation box, while the module **ACREL2 -DIN** is supplied with a plastic box for a practical and fast installation on standard DIN guide.





PASO is one of the few companies in the business able to boast its own original integrated design industrialisation and manufacturing system for a full range of products, from the most complex and sophisticated equipment to the simplest accessories. Our rack containers have been designed specifically for housing all PASO electronic equipment and service panels with provisions for modular fixing in 19" racks.

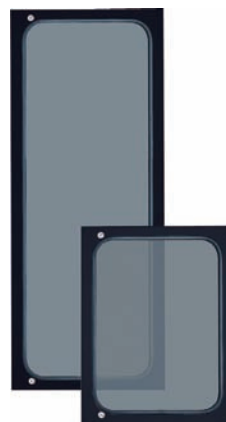


The crown jewel of the company is the supply of its central racks "ready for installation". They are fully cabled by specialised technicians and configured on the basis of the specific functions required for the system. Each of these racks is supplied complete with the diagrams, documentation and EC certification covering the products mounted on it.

All the models of the **P5800-D** range and new **P5800-L** range - with extended depth to 65cm - are made of thick reinforced steel sheeting and are available in black. A mounting kit consisting of two sides with ventilation slits, an upper closing panel and a lower one, four feet, a set of screws for mechanical assembly, 4 cables with lugs on the ends for connecting the equipment to earth and a set of caged nuts for securing the service equipment. Black front window panels with double locks are available for opening to the right or to the left (**P5700** range). As an alternative to the normal rear closing panels secured by screws, black blind rear doors with locks and ventilation slits are also available (**P5400-D** range).



Rack cabinets



Front window panels



Rear closing panels



Rear doors

PASO **P5800** racks comply with IEC 297-2 and CEI EN 60065 standards. Also, as called for in the general safety regulations for electrical systems (CEI 64-8, CEI 64-11, CEI 23-48), both the racks and the various different accessories (doors, closing panels, etc.) are equipped with the appropriate terminals for connection to earth.

| MODEL | P5808 | P5812-D | P5816-D | P5820-D | P5824-D | P5830-D | P5840-D | P5828-L | P5836-L | P5842-L |
|--------------------------|---|---------|---------|---------|---------|----------|----------|----------|----------|---------|
| Modular units | 8 U | 12 U | 16 U | 20 U | 24 U | 30 U | 40 U | 28 U | 36 U | 42 U |
| Technical specifications | 19" standard rack consisting of two sides with ventilation slits, an upper closing panel and a lower one, a set of screws for mechanical assembly, 4 cables with lugs on the ends for connecting the equipment to earth and a set of caged nuts for securing the service equipment. | | | | | | | | | |
| Width | 52,5 cm | | | | | | | | | |
| Depth | 45,6 cm | 52,5 cm | | | | | | 65 cm | 65 cm | 65 cm |
| Height | 40,8 cm | 58,6 cm | 76,4 cm | 94,2 cm | 112 cm | 138,6 cm | 183,1 cm | 129,8 cm | 165,3 cm | 192 cm |
| Front window door | - | P5712 | P5716 | P5720 | P5724 | P5730 | P5740 | P5728 | P5736 | P5742 |
| Rear door | - | - | P5416-D | P5420-D | P5424-D | P5430-D | P5440-D | P5428-D | P5436-D | P5442-D |
| Rear closing panel | P5404-D (4 U), P5408-D (8 U) e P5410-D (10 U) | | | | | | | | | |
| Colour | Black | | | | | | | | | |

SERVICE PANELS



P8001-B
Panel with 16 Amp mains switch, ON/OFF lamp and mains fuse (1 U).



P8002-M
Monitoring panel with 6-position switch (6 lines), volume control and loudspeakers (1U).



P8004
Panel with main 50 Amp circuit-breaker and ON/OFF lamp. Monitoring section with 6-position switches, loudspeaker and volume control (2 U).



P8003/2-B
Forced ventilation panel complete with two 230 VAC 50/60 Hz fans (3 U).



P8008-D
Mains distribution unit with eight* multi-standard sockets.
**also available the 4-socket model (P8008/4-D).*



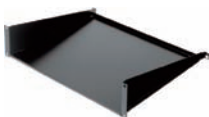
P8082
Cabled selector switch with 12 switches for activation of the loudspeaker lines and one main switch (1 U).



P8030
Container for special applications with mains switch and ON/OFF lamp.



P8032
Drawer for accessories (3 U).



P8035
Top for supporting audio/video sources and various types of equipment (2U).

ACCESSORIES



AC50
Pair of side brackets.



AC51
Pack of 40 caged nuts (type: M5).



AC52
Pack of 20 screws and 20 washers (type: M5).



AC54-D
Kit consisting of four wheels, load-bearing capacity: 65 kg each.



AC5801-D
Foundation base for cabinets* with cable output.
** for P5800-D rack models only.*

CLOSING PANELS

Perforated panels

Equipped with earth terminals.



P5201-D 1 modular unit
P5202-D 2 modular unit
P5203-D 3 modular unit

Blind panels

Equipped with earth terminals.



P8011-D 1 modular unit
P8012-D 2 modular unit
P8013-D 3 modular unit
P8014-D 4 modular unit

PASO S.p.A.
Via Settembrini, 34 - 20020 Lainate (MI) - ITALIA
Telefono: +39.02.58077.1 | Fax: +39.02.58077.277
E-mail: info@paso.it | Web: www.paso.it

PASO S.p.A. strive to improve their products continuously, and therefore reserve the right to make changes to the drawing and technical specifications at any time and without notice.



09/100-E