

DH-PFM972-5EU-1/2/3

1m/2m/3m UTP CAT5E Patch Cord



Features

- Premium quality UTP CAT5E cable, meet the national standard GB50312 CAT5e channel standard;
- UTP 24AWG stranded conductors for flexibility and minimum crosstalk, 99.99% OFC(oxygen free copper) conductor material;
- RJ45-Male connectors(both sides); 50 micron gold-plated contacts for high-speed data transfer and corrosion resistance, as well as molded, snag-less strain relief boots for long lasting, durable connections;
- Environmentally friendly PVC;
- Perfect for use with 10/100 Base-T networks.

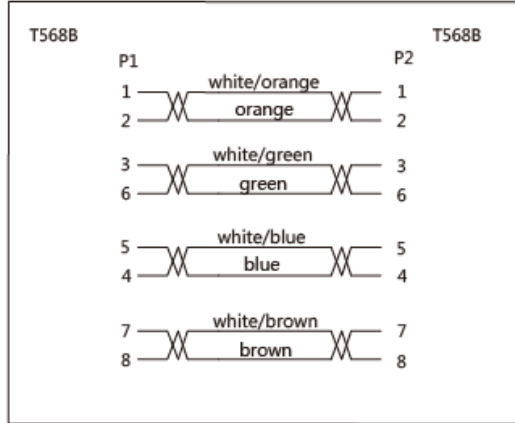
Technical Specifications

Model		DH-PFM972-5EU-1	DH-PFM972-5EU-2	DH-PFM972-5EU-3
Conductor	Material	OFC(oxygen free copper)		
	Composition	7*0.19±0.01mm		
	Wire gauge	24AWG 4P		
Insulation	Material	HDPE		
	Diameter	0.9mm±0.03mm		
	Color(4 Pairs)	Orange, white/orange; green, white/green; blue, white/blue; brown, white/brown		
	Elongation at break	≥100%		
	Peelability	No damage to insulation or conductor		
Jacket	Material	PVC		
	Diameter	5.3mm±0.3mm		
	Color	Yellow		
	Tensile strength	≥9MPa		
	Elongation at break	≥100%		
Length		1m (3.28ft)	2m (6.56ft)	3m (9.84ft)

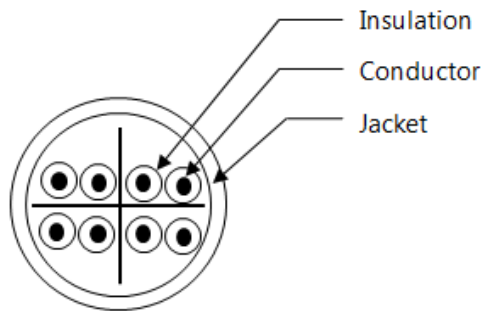
Order Information

Type	Part Number	Description
Cabling Series	DH-PFM970-5EU	UTP CAT5E information module
	PFM970-5EU	UTP CAT5E information module
	DH-PFM971-1	Network wall plate(1 port)
	PFM971-1	Network wall plate(1 port)
	DH-PFM971-2	Network wall plate(2 port)
	PFM971-2	Network wall plate(2 port)
	DH-PFM972-5EU-1	1m UTP CAT5E Patch Cord
	PFM972-5EU-1	1m UTP CAT5E Patch Cord
	DH-PFM972-5EU-2	2m UTP CAT5E Patch Cord
	PFM972-5EU-2	2m UTP CAT5E Patch Cord
	DH-PFM972-5EU-3	3m UTP CAT5E Patch Cord
	PFM972-5EU-3	3m UTP CAT5E Patch Cord
	DH-PFM973M-5EU-24	24-Port UTP CAT5E rackmount patch panel
	PFM973M-5EU-24	24-Port UTP CAT5E rackmount patch panel

Dimensions (mm/inch)



L=1m/2m/3m



Package Information

- 1m/2m/3m UTP CAT5E patch cord DH-PFM972-5EU-1/2/3 *1