

# DH-HAC-HF3805G

8MP Starlight HDCVI Box Camera

## HDCVI



- 4/3" 8MP progressive scan CMOS
- M43 mount lens
- 30fps@3840×2160(HDMI)/15fps@3840×2160(BNC)
- 140db WDR
- Ultra-low starlight technology, 2D&3D NR
- HDMI video output directly
- Built-in Mic
- Software upgrade with USB
- Intelligent functions
- Up to 500m transmission with RG59 coaxial cable



### System Overview

The 4K HDCVI box camera adopts a high performance ISP and advanced 4/3" 8MP image sensor, enabling a wider range of coverage and superior image details with 4K resolution. Even in extreme low-light conditions, the camera provides outstanding visibility and excellent color, ensuring the usability of recorded video. Its full color and 4K resolution makes the camera an ideal choice for large-size businesses and places such as airports, stadiums, parking lots, and shopping malls.

### Functions

#### 4K Technology

4K technology as a revolutionary breakthrough in image, which enhance the expressive image of essence, allowing users to experience the best picture quality brought about by the visual feast. For the purposes of 4K surveillance with four times the 1080P resolution, presented to the user with more details. Under the same scenario by raising the amount of pixels with the larger sensor it will reduce the total quantity of cameras and finally lower the whole project cost.

#### M43 Lens Mount

As we all knows lens is one of the key components that affects the surveillance image quality. For providing the best image to our customers we designed innovatively with M43 lens interface on HF3805G which is used on SLR cameras normally. So it is compatible with all kinds of M43 mount lens include prime lens and vari-focal length lens on the market according to different distance identification.

#### Starlight+

With the adoption of large-size pixel sensor and smart image process algorithm, HAC-HF3805G is able to provide incomparable performance even under extreme lowlight environment. The starlight feature allows more colourful feature details to be captured and accurate color to be recognized at night or in scenes with limited illumination.

#### Multi-outputs

The camera supports video outputs simultaneously with a HDMI and a BNC connector. In addition HDMI port can output 4K&4MP@30fps video to monitor or link to HDMI decoder directly without a backend. Multi-outputs facilitates construction in such situations as debugging with a tester.

#### 4 Signals over 1 Coaxial Cable

HDCVI technology supports 4 signals to be transmitted over 1 coaxial cable simultaneously, i.e. video, audio\*, data and power. Dual-way data transmission allows the HDCVI camera to interact with the XVR, such as sending control signal or triggering alarm. Moreover, HDCVI technology supports PoC for construction flexibility.

\* Audio input is available for some models of HDCVI cameras.

#### Long Distance Transmission

HDCVI technology guarantees real-time transmission at long distance without any loss. It supports up to 700m transmission for 4K and 4MP HD video via RG6 coaxial cable, and up to 300m via UTP cable.\*

\*Actual results verified by real-scene testing in Dahua's test laboratory.

#### Simplicity

HDCVI technology inherits the born feature of simplicity from traditional analog surveillance system, making itself a best choice for investment protection. HDCVI system can seamlessly upgrade the traditional ana-log system without replacing existing coaxial cabling. The plug and play approach enables full HD video surveillance without the hassle of configuring a network.

#### Wide Dynamic Range

Embedded with industry leading wide dynamic range (WDR) technology, vivid pictures are achieved even in the most intense contrast lighting conditions. Ultra WDR (140dB) optimizes both the bright and dark areas of a scene at the same time to provide amazing usable video.

#### Protection

The camera's outstanding reliability is unsurpassed due to its rugged design, making it suitable for most environment such as bank, manufacturing and commercial facilities.

Supporting dual voltage input (DC 12V±25%/AC 24V±25%). This camera suits even the most unstable power supply conditions. Its 4KV lightning rating provides protection against the camera and its structure from the effects of lightning.

### Technical Specification

#### Camera

Image Sensor	4/3" CMOS
Effective Pixels	3840(H)×2160(V), 8MP
Scanning System	Progressive
Electronic Shutter Speed	1/3s~1/100,000s
Minimum Illumination	0.001Lux/F1.2(Color,1/3s,30IRE) 0.0005Lux/F0.95 (Color,1/3s,30IRE) 0.003Lux/F0.95 (Color,1/30s,30IRE)
S/N Ratio	More than 65dB
IR Distance	NA
IR On/Off Control	NA
IR LEDs	NA
Audio In	Built-in Mic

#### Lens

Lens Type	External
Mount Type	M43-mount
Focal Length	NA
Max Aperture	NA
Angle of View	NA
Focus Control	NA
Close Focus Distance	NA

#### Pan / Tilt / Rotation

Pan/Tilt/Rotation	Pan: NA Tilt: NA Rotation: NA
-------------------	-------------------------------------

#### Video

Resolution	8MP (3840×2160)
Frame Rate	PAL:4K@12.5fps;4M@25fps NTSC:4K@15fps;4M@30fps
Video Output	1-channel HDMI video output & 1-channel BNC video output
Day/Night	Color
OSD Menu	Multi-language
BLC Mode	BLC / HLC / WDR
WDR	140dB
Gain Control	AGC
Noise Reduction	2D/3D
White Balance	Auto / Manual
Smart IR	NA

#### Certifications

Certifications	CE (EN55032, EN55024, EN50130-4) FCC (CFR 47 FCC Part 15 subpartB, ANSI C63.4-2014) UL (UL60950-1+CAN/CSA C22.2 No.60950-1)
----------------	---

#### Interface

Audio Interface	1-channel audio in & Built-in Mic
Alarm I/O	2/1

#### Electrical

Power Supply	12V DC ±25%/24V AC ±25%
Power Consumption	Max 9W (DC12V )

#### Environmental

Operating Conditions	-30°C ~ +60°C (-22°F ~ +140°F) / Less than 90% RH * Start up should be done at above -30°C (-22°F)
Storage Conditions	-30°C ~ +60°C (-22°F ~ +140°F) / Less than 90% RH
Ingress Protection & Vandal Resistance	NA

#### Construction

Casing	Aluminium
Dimensions	144.5mm×82mm×73.7mm (5.69"×3.23"×2.90")
Net Weight	0.62kg (1.36lb)
Gross Weight	0.83kg (1.83lb)

Ordering Information		
Type	Part Number	Description
8MP Camera	DH-HAC-HF3805GP	8Megapixel Ultra WDR Boxed Camera, PAL
	DH-HAC-HF3805GN	8Megapixel Ultra WDR Boxed Camera, NTSC
Accessories	PFB121W	Wall Mount Bracket
	PFB110W	Wall Mount Bracket
	PFM800-E	Passive HDCVI Balun
	PFM321	12V 1A Power Adapter
	PFM320	12V 2A Power Adapter
	PFM320D-015	12V 1.5A Power Adapter

**Dimensions (mm/inch)**

Optional:



PFB121W  
Wall Mount Bracket



PFB110W  
Wall Mount Bracket



PFM800-E  
Passive HDCVI Balun



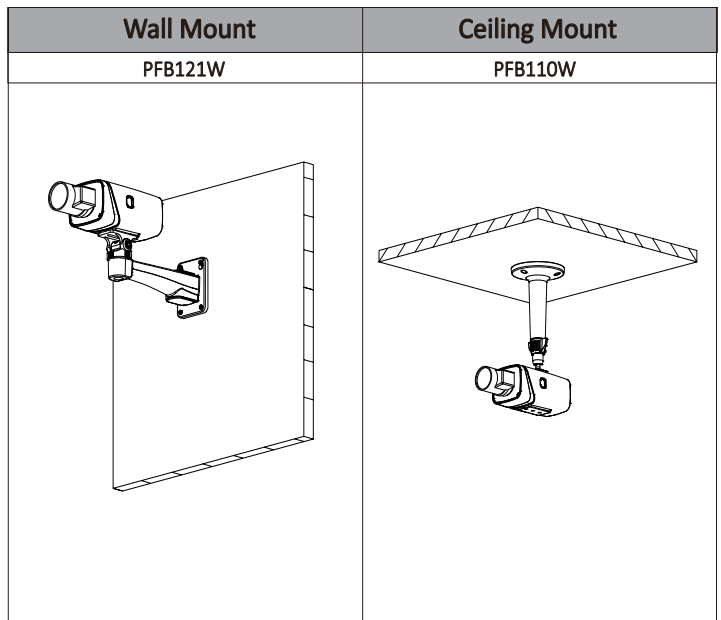
PFM321  
12V 1A Power  
Adapter



PFM320  
12V 2A Power  
Adapter



PFM320D-015  
Power Adapter



**Dimensions (mm/inch)**

